



P.M.H.

BATHROOM RADIATORS



Elegance, not only for your bathroom



Most of the P.M.H. packing is plastic-free and completely recyclable.
Plastic waste of radiators packing has been reduced by almost 2 tons.
We also save 210.000 m of plastic tape per year.

IMPORTANT INFORMATION

Our radiators are not intended for heating rooms, only to dry towels... etc. They are manufactured and tested according to EN 442-1. They are designed for heating systems in both individual and central heating systems, where the heated water or other heat transfer material (CSN 07 7401) has a maximum working temperature of 110°C with pumped or gravity circulation with the working pressure up to 0.6 MPa. The connection threads are G 1/2 ".

Accessories can be supplied including valves, electric heating rods of power 150-800 W, chrome towel straight hangers and chrome towel hanging pegs.

All our models (except VENUS, FENIX, KARES, LASSE, BOSSE, EINAR) can be used in heating systems with combination heating (electric heating rods) for summer heating. Bathroom rails with combination heating systems can be installed in zone 2 according to EN 33 2000-7-701 beside the bathtub, shower or basin in compliance with the minimum distances.

SUPPORT AND SALES

Orders are accepted only in writing by e-mail to info@pmh-co.cz. Confirmation of order is always sent by return. In case you do not receive this acknowledgment within 3 days, the goods are considered as not ordered. In this case, it will be necessary to send a repeat order with a note saying "Ordering a second time." Necessary information regarding sales (orders, deliveries, consulting ...) are dealt with at telephone number +420 380 711 237.

MAINTENANCE

To clean the bathroom radiators, we recommend using a damp microfiber cloth. It is not recommended to use abrasive or chemical detergents. For stainless steel radiators, we recommend a special cleaner for stainless steel, which can be supplied with your order. For radiators installed in harsh environments (pools, saunas) contact the manufacturer P.M.H. Invest & Trade spol. s r. o.

COMPLAINTS

The buyer is obliged to check the delivered goods without delay and inform the seller about the detected defects. Late claims for obvious defects will not be accepted by the seller. The complete complaints procedure can be viewed on www.pmh-co.eu. Any complaint can be sent by e-mail to reklamace@pmh-co.cz

ORDER CANCELLATIONS

Conditions for cancellation of the order must be approved by the supplier. Please telephone to discuss on +420 380 711 237 or e-mail info@pmh-co.cz

RETURNED GOODS

The conditions for returning goods must be approved by the supplier. Goods must be unused, undamaged and in original packaging. Return transport costs shall be borne by the purchaser. Customers will be charged a cancellation fee associated with handling, control and re-packing of the radiator at 10% of retail prices.

WARRANTY

The warranty covers manufacturing defects and leakage, subject to professional installation. Warranty Period - 5 years on radiators. Warranty period - 2 years on electric dryers, electric heating rods, valves and accessories. In the case of non-recommended electric heating elements (recommended ones are listed in the catalogue), all warranties are invalid.

All rights to changes and printing errors reserved. The photos are only illustrative.

BATHROOM RADIATORS



RETRO 8-9



KRONOS 10-11



TAIFUN 12-13



THEIA 14-15



DARIUS 16-19



CORAL 20-21



ROSENDAL 22-25



PLUTO X 26-27



PLUTO 28-29



ULYSSES 30-31



PEGASUS 32-33



AVENTO 34-35



AVENTO FRAME 36-37



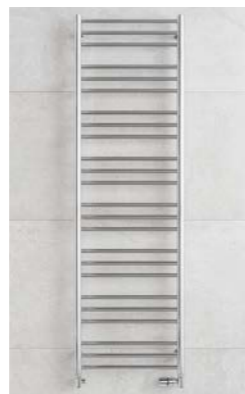
GALEON 38-39



DANBY 40-41



MARABU 42-43



SORANO 44-45



SORANO FRAME 46-47



SAVOY 48-49



BLENHEIM 50-51



LAVENO 52

ELECTRIC DRYERS



EINAR 54-55



KARES 56-57



VENUS 58-59



FENIX 60-61



LASSE 62-63



BOSSE 64-65

ACCESSORIES



VALVES 67-71



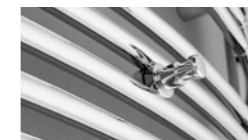
ROSETTES 72



COMPRESION FITTINGS 72



EL. HEATING ELEMENTS 74-76



TOWEL HANGERS 77

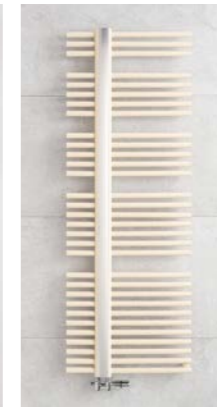
BATHROOM RADIATORS

P.M.H.

RADIATORS WITH CENTRAL CONNECTION



RETRO 8-9



KRONOS 10-11



PEGASUS 32-33



AVENTO FRAME 36-37



DANBY 40-41



SORANO FRAME 46-47

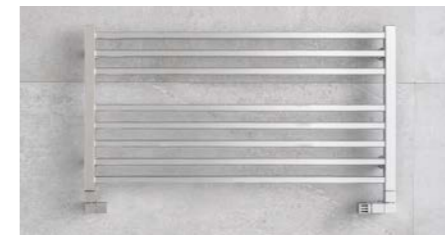


SAVOY 48-49

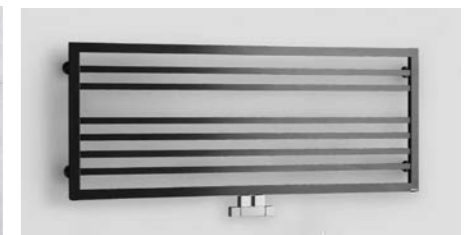
RADIATORS FOR HORIZONTAL INSTALLATION



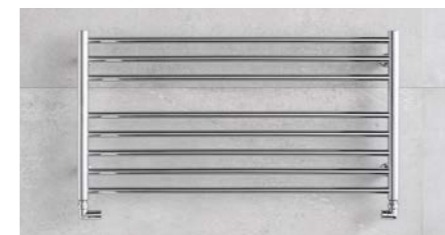
ROSENDAL 22-25 950 x 266
1500 x 266



AVENTO 34-35 905 x 480
1210 x 480



AVENTO FRAME 36-37 905 x 480
1210 x 480



SORANO 44-45 905 x 480
1210 x 480

WARNING: not recommended to combine with electric heating element.



RETRO RTRE - claret coated
(structural colour)
600 × 1200 mm



RETRO RTWE - white coated
(structural colour)
600 × 1200 mm



Location of "attachment" to the wall: ↓ 82 mm ↑ 82 mm
 Central heating: YES
 Combination heating: YES
 Electric heating: YES

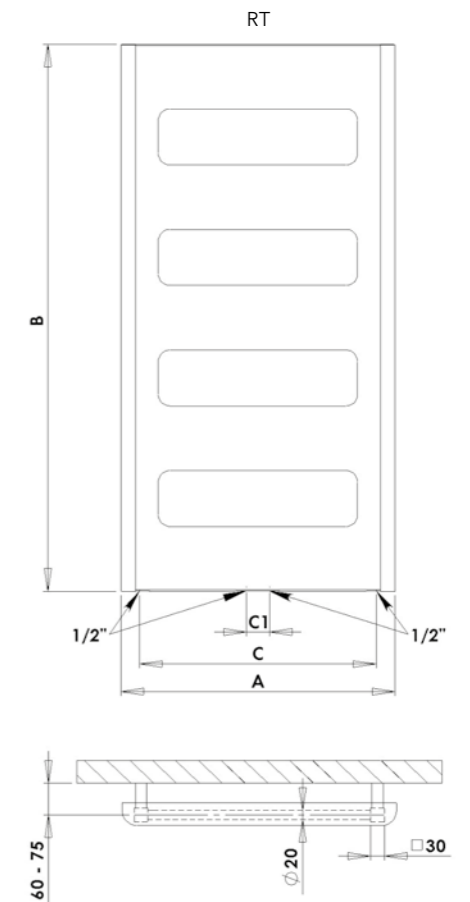
Connection options:



MOUNTING PROCEDURE



On the back side there is a steel radiator, over which the cover panel is fitted by strong magnets, which are on the inside face and the side edges of the radiator cover panel. Radiator and cover panel always have the same finish.



Chrome**	White coated	Other surface finish (coated)*	Width (A) x Height (B) [mm]	HO [W] Δt 20°C***		Weight [kg]	Volume [l]	Connection span (C/C1) [mm]	Max. recommended electric heating element [W]
				75/65°C	55/45°C				
RTC	RTW	RT	600 × 1200	302	157	13,3	3,2	518/50	300

*Other surface finishes see page 78. **Heat output of chrome versions can be 20% lower.

***Calculation of temperature gradients can be viewed on www.pmh-co.cz



KRONOS KR3BE - beige
(structural colour)
600 × 1670 mm

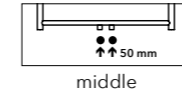


KRONOS KR3RE - claret coated
(structural colour)
600 × 1670 mm

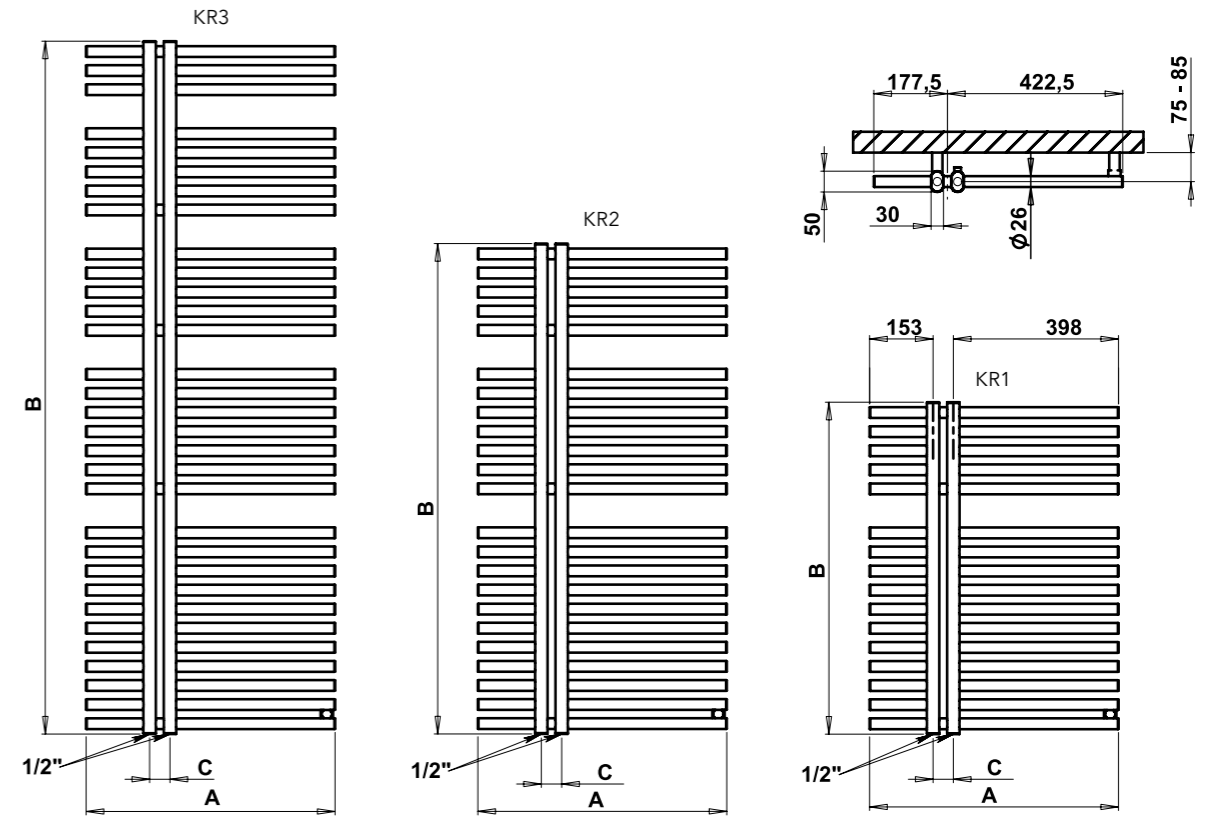


Location of "attachment" to the wall: ↓ 25 mm ↑ 48 mm
Central heating: YES
Combination heating: YES
Electric heating: YES
Vertical tubes: 50 × 30 mm
Horizontal tubes: Ø 26 mm

Connection options:



Kronos is supplied with the polished aluminum strip; you can remove it at any time and thus change the appearance of the radiator.



White coated	Other surface finish (coated)*	Width (A) x Height (B) [mm]	HO [W] Δt 20°C**		Weight [kg]	Volume [l]	Connection span (C) [mm]	Max.recommended electric heating element [W]
			75/65°C	55/45°C				
KR1W	KR1	600 × 800	427	222	10,2	4,3	50	300
KR2W	KR2	600 × 1182	631	328	14,7	6,1	50	500
KR3W	KR3	600 × 1670	889	462	19,9	8,2	50	600

*Other surface finishes see page 78. **Calculation of temperature gradients can be viewed on www.pmh-co.cz.



TAIFUN TS4MS
metallic silver
600 × 1210 mm

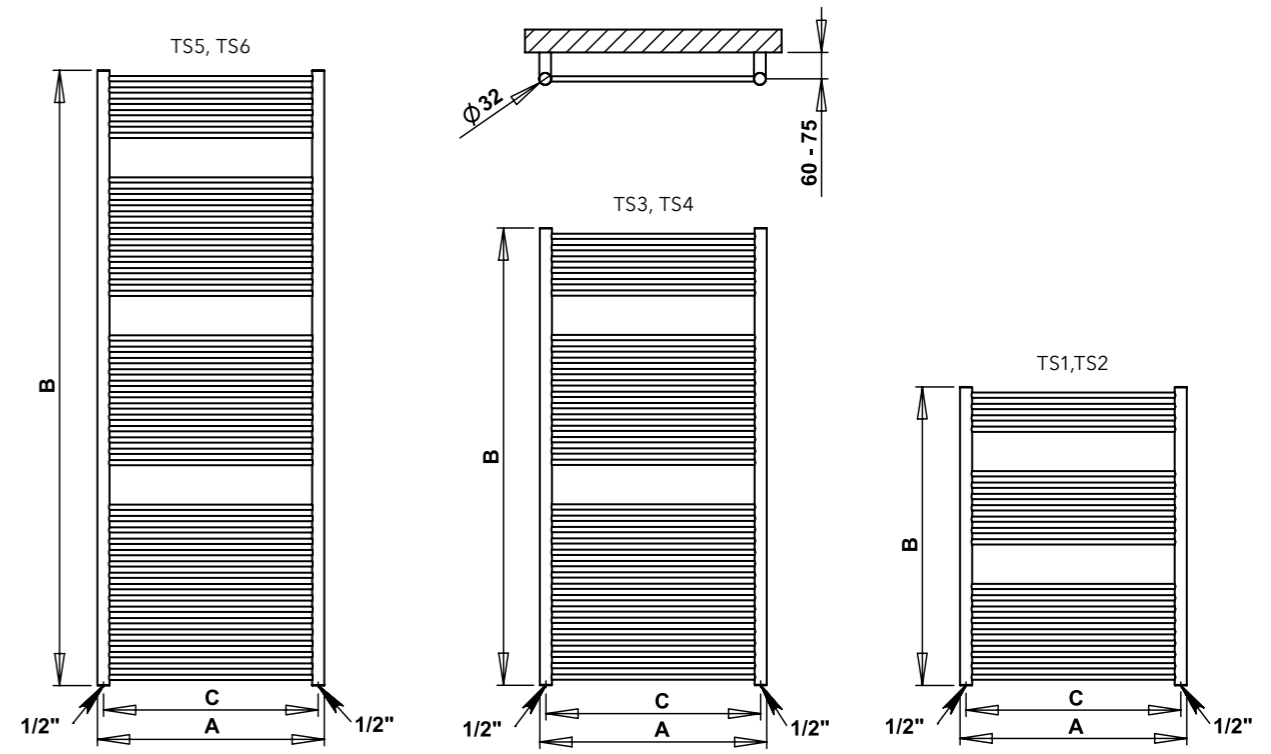
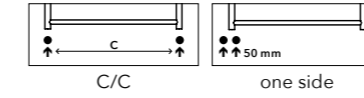


TAIFUN TS1C - chrome
500 × 790 mm



Location of "attachment" to the wall: ↓ 50 mm ↑ 50 mm
Central heating: YES
Combination heating: YES
Electric heating: YES
Horizontal tubes: Ø 14 mm
Vertical tubes: Ø 32 mm

Connection options:



Chrome**	White coated	Other surface finish (coated)*	Width (A) x Height (B) [mm]	HO [W] Δt 20°C***		Weight [kg]	Volume [l]	Connection span (C) [mm]	Max.recommended electric heating element [W]
				75/65°C	55/45°C				
TS1C	TS1W	TS1	500 × 790	382	199	5,9	3,9	468	300
TS2C	TS2W	TS2	600 × 790	463	241	7,2	4,5	568	300
TS3C	TS3W	TS3	500 × 1210	585	304	9,2	6,2	468	400
TS4C	TS4W	TS4	600 × 1210	717	373	11,0	7,3	568	400
TS5C	TS5W	TS5	500 × 1630	795	413	12,6	8,4	468	500
TS6C	TS6W	TS6	600 × 1630	974	506	14,6	9,9	568	500

*Other surface finishes see page 78. **Heat output of chrome versions can be 20% lower.

***Calculation of temperature gradients can be viewed on www.pmh-co.cz.



Practical hooks for hanging towels and bathrobes



Hidden air valve



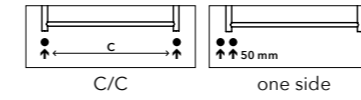
THEIA T1A - metallic anthracite
500 × 940 mm



THEIA T2C - chrome
500 × 1540 mm

Location of "attachment" to the wall: ↓ 70 mm ↑ 70 mm
Central heating: YES
Combination heating: YES
Electric heating: YES
Pitch: 100 mm
 The centre valve cannot be used.

Connection options:



T2W-L left version T2W right version

Connection 50 mm



Central and Combination heating:

Thermostatic valve ONE, UNIKO

(Theia, standard version = ONE-L, UNIKO-L,
 Theia, left version = ONE-R, UNIKO-R)

Connection 100 mm



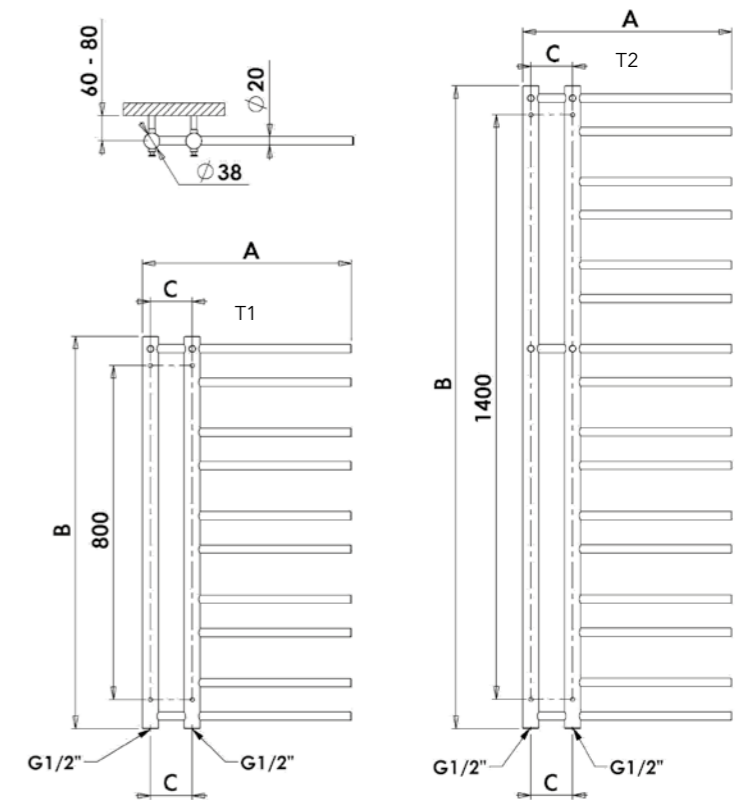
Central heating:

Valve EASY or thermostatic valve COMBI, INTER

Combination heating:

Thermostatic valve COMBI, INTER

(Theia, standard version = COMBI -L, INTER-L
 Theia, left version = COMBI-R, INTER-R)



Chrome**	White coated	Other surface finish (coated)*	Width (A) x Height (B) [mm]	HO [W] Δt 20°C***		Weight [kg]	Volume [l]	Connection span (C) [mm]	Max.recommended electric heating element [W]
				75/65°C	55/45°C				
T1C	T1W	T1	500 × 940	216	112	5,3	2,8	100	200
T2C	T2W	T2	500 × 1540	352	183	8,5	4,2	100	300
T1C-L	T1W-L	T1-L	500 × 940	216	112	5,3	2,8	100	200
T2C-L	T2W-L	T2-L	500 × 1540	352	183	8,5	4,2	100	300

*Other surface finishes see page 78. **Heat output of chrome versions can be 20% lower.

***Calculation of temperature gradients can be viewed on www.pmh-co.cz.

DARIUS



DARIUS DA1RE - claret coated
(structural colour)
600 × 1200 mm
with chrome hanger PGH1



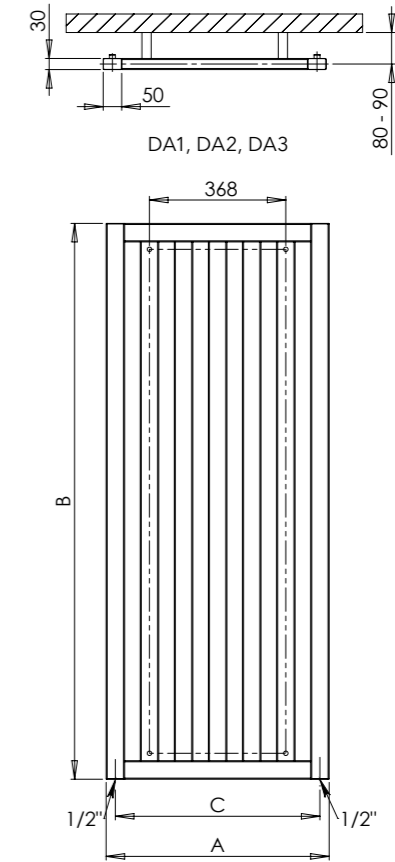
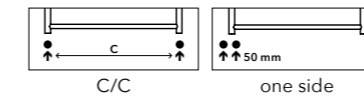
DARIUS DA2A - metallic anthracite
600 × 1500 mm



DARIUS

Location of "attachment" to the wall: ↓ 70 mm ↑ 70 mm
Central heating: YES
Combination heating: YES
Electric heating: YES
Profile: 30 × 50 mm

Connection options:



Chrome hangers

PGH1	490 × 164 mm
PGH2	605 × 164 mm
PGH3	760 × 164 mm
DH	760 × 164 mm
PGH1H	490 × 164 mm
PGH2H	605 × 164 mm
PGH3H	760 × 164 mm



Chrome hanger DH



Chrome hanger PGH1H - square



Chrome hanger PGH1

White coated	Other surface finish (coated)*	Width (A) x Height (B) [mm]	HO [W] Δt 20°C**		Weight [kg]	Volume [l]	Connection span (C) [mm]	Max. recommended electric heating element [W]
			75/65°C	55/45°C				
DA1W	DA1	600 × 1200	512	266	15,8	11,3	552	300
DA2W	DA2	600 × 1500	647	336	19,4	14,0	552	400
DA3W	DA3	600 × 1800	889	462	23,1	16,5	552	500

*Other surface finishes see page 78. **Calculation of temperature gradients can be viewed on www.pmh-co.cz.

DARIUS WITH HOOKS



DARIUS WITH HOOKS DAH5W
white coated
326 x 1500 mm



DARIUS - detail hook
white coated



DARIUS WITH HOOKS

Radiator Darius with hooks can only be positioned vertically.

Location of "attachment" to the wall: ↓ 70 mm ↑ 70 mm

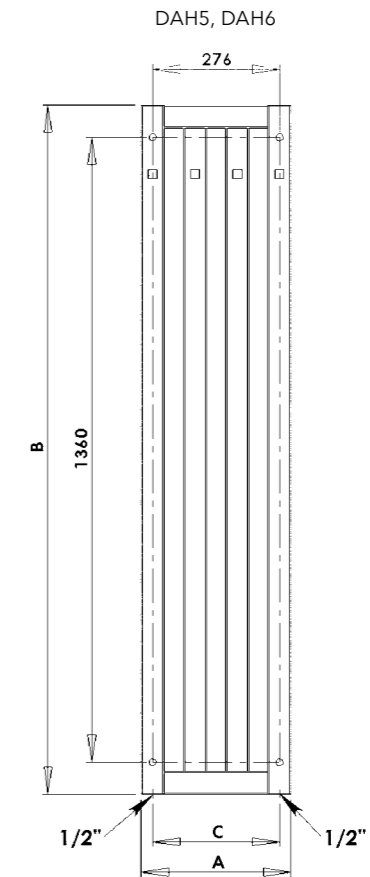
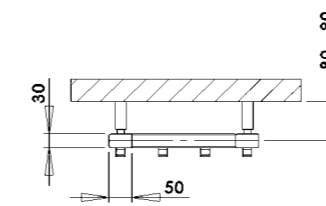
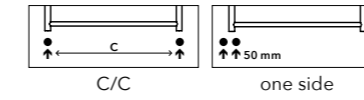
Central heating: YES

Combination heating: YES

Electric heating: YES

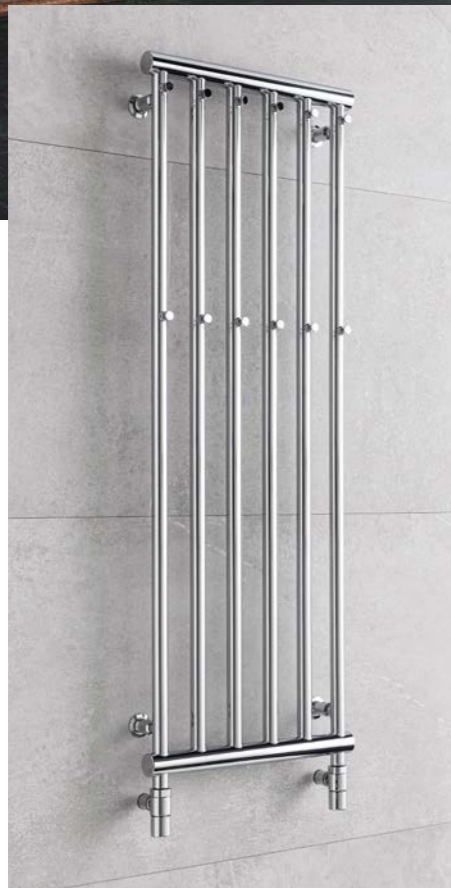
Profile: 30 x 50 mm

Connection options:



White coated	Other surface finish (coated)*	Width (A) x Height (B) [mm]	HO [W] Δt 20°C**		Weight [kg]	Volume [l]	Connection span (C) [mm]	Max.recommended electric heating element [W]
			75/65°C	55/45°C				
DAH5W	DAH5	326 x 1500	370	192	11,1	7,9	276	200
DAH6W	DAH6	326 x 1800	444	231	13,3	9,4	276	300

*Other surface finishes see page 78. **Calculation of temperature gradients can be viewed on www.pmh-co.cz.



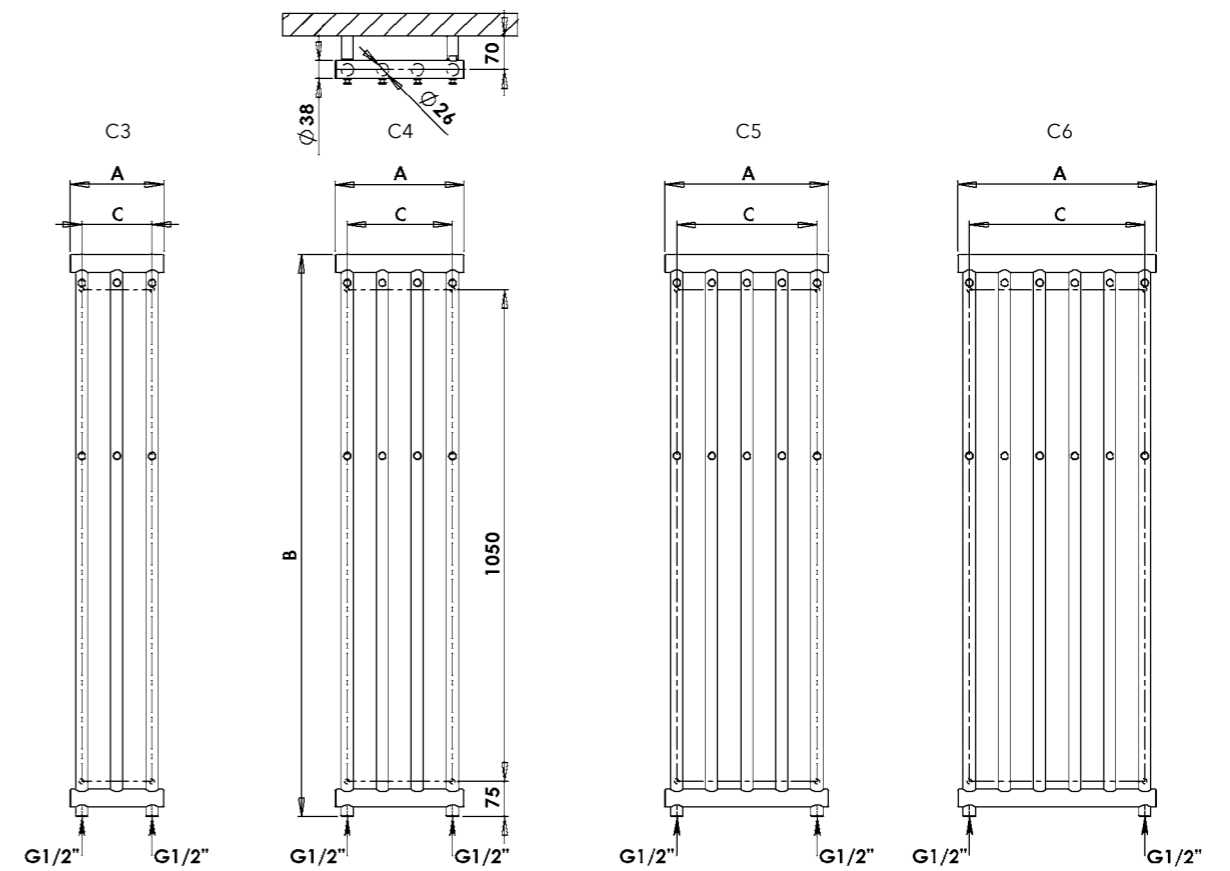
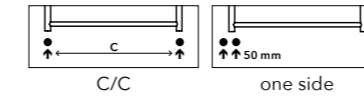
CORAL C6C - chrome
425 x 1200 mm



Practical hooks for hanging towels and bathrobes

Location of "attachment" to the wall: ↓ 75 mm ↑ 75 mm
 Central heating: YES
 Combination heating: YES
 Electric heating: YES
 Horizontal tubes: Ø 38
 Vertical tubes: Ø 26

Connection options:



Chrome*	Width (A) x Height (B) [mm]	HO [W] Δt 20°C**		Weight [kg]	Volume [l]	Connection span (C) [mm]	Max.recommended electric heating element [W]
		75/65°C	55/45°C				
C3C	200 x 1200	189	98	3,8	1,7	150	200
C4C	275 x 1200	252	131	5,0	2,5	225	200
C5C	350 x 1200	314	163	6,3	3,1	300	300
C6C	425 x 1200	377	196	7,5	3,8	375	300

*Heat output of chrome versions can be 20% lower. **Calculation of temperature gradients can be viewed on www.pmh-co.cz.



Practical hooks for hanging towels and bathrobes

ROSENDAL R2B
black coated finish
266 × 1500 mm

ROSENDAL R2W
white coated finish
266 × 1500 mm

ROSENDAL R2C/6
chrome
420 × 1500 mm

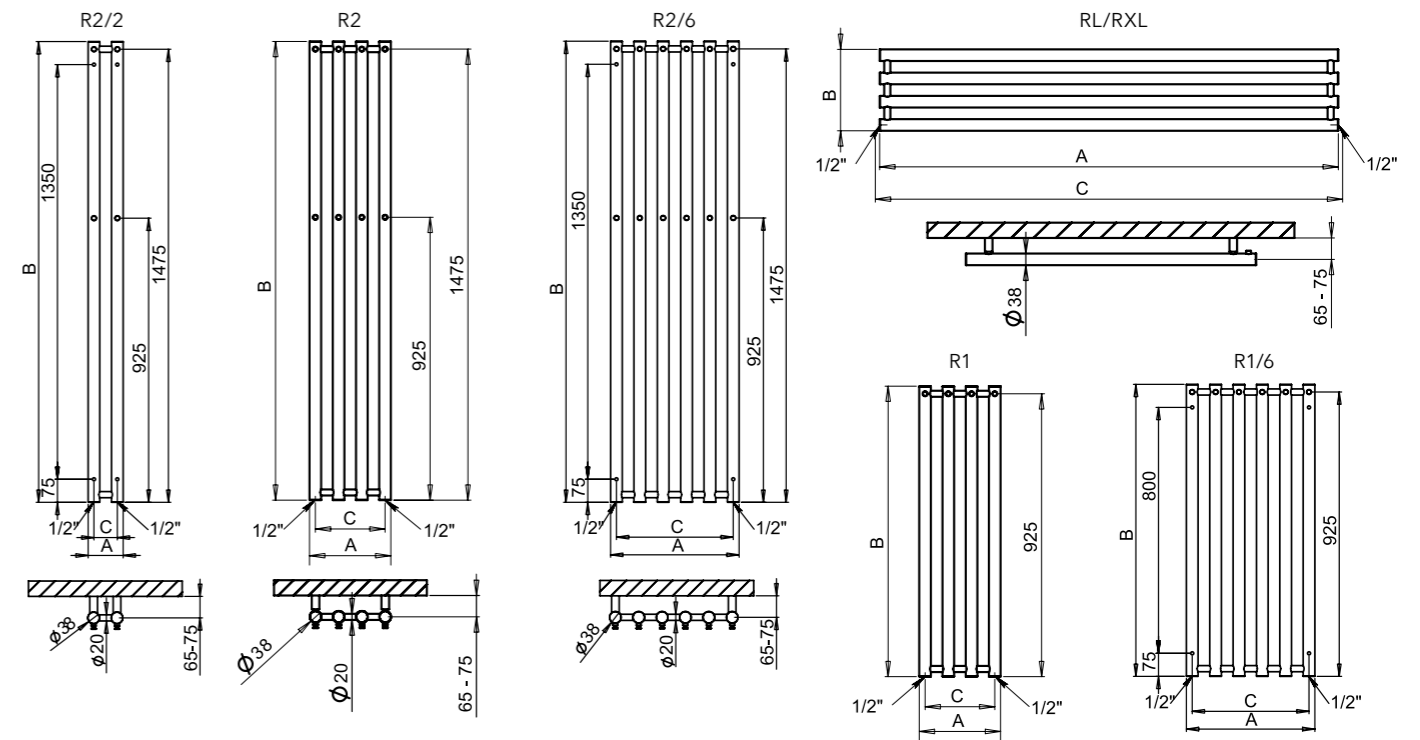
Location of "attachment" to the wall: ↓ 75 mm ↑ 75 mm

Central heating: YES

Combination heating: YES

Electric heating: YES

Connection options:



Chrome**	Brushed stainless steel	White coated	Other surface finish (coated)*	Width (A) x Height (B) [mm]	HO [W] Δt 20°C***		Weight [kg]	Volume [l]	Connection span (C) [mm]	Max.recommended electric heating element [W]
					75/65°C	55/45°C				
R2C/2	R2SS/2	R2W/2	R2/2	115 × 1500	175	91	4,3	3,15	76	120
R1C	R1SS	R1W	R1	266 × 950	248	129	5,6	4,2	228	200
R2C	R2SS	R2W	R2	266 × 1500	350	182	8,6	6,3	228	300
R1C/6	R1SS/6	R1W/6	R1/6	420 × 950	372	193	8,25	6,3	380	300
R2C/6	R2SS/6	R2W/6	R2/6	420 × 1500	525	273	12,9	9,45	380	400

Horizontal design

RLC	RLSS	RLW	RL	950 × 266	248	129	5,6	4,2	on request•	-
RXLC	RXLSS	RXLW	RXL	1500 × 266	350	182	8,6	6,3	on request•	-

*Other surface finishes see page 78. **Heat output of chrome versions can be 20% lower.

***Calculation of temperature gradients can be viewed on www.pmh-co.cz.

• Pitch according to the technical parameters of the selected valve. L and XL is not recommended for heating only with el. heating rod.

R2/2 -115 x 1500 - one-point valve cannot be used in combination with a heating rod.

ROSENDAL MASSIVE

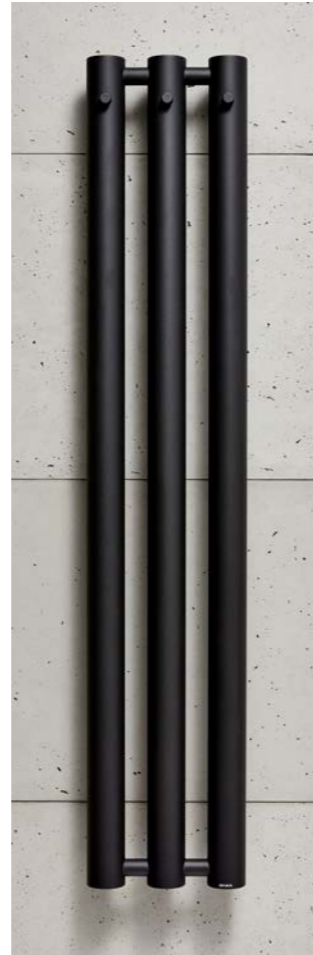
ROSENDAL MASSIVE



ROSENDAL R70/3W
white coated



ROSENDAL R70/3RE
claret coated
(structural colour)



ROSENDAL R70/3B
black coated



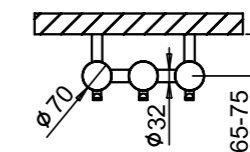
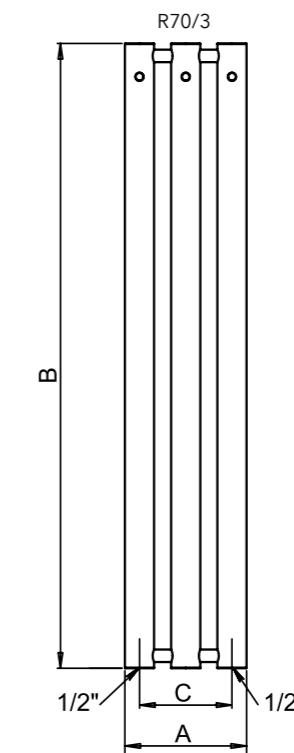
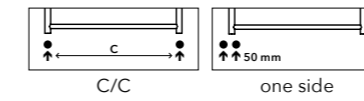
Location of "attachment" to the wall: ↓ 78 mm ↑ 78 mm

Central heating: YES

Combination heating: YES

Electric heating: YES

Connection options:



Chrome**	Brushed stainless steel	White coated	Other surface finish (coated)*	Width (A) x Height (B) [mm]	HO [W] Dt 20°C***		Weight [kg]	Volume [l]	Connection span (C) [mm]	Max. recommended electric heating element [W]
					75/65°C	55/45°C				
R70/3C	R70/3SS	R70/3W	R70/3	292 x 1500	483	251	12,5	15,6	222	300

*Other surface finishes see page 78. **Heat output of chrome versions can be 20% lower.

***Calculation of temperature gradients can be viewed on www.pmh-co.cz.

PLUTO X

PLUTO X



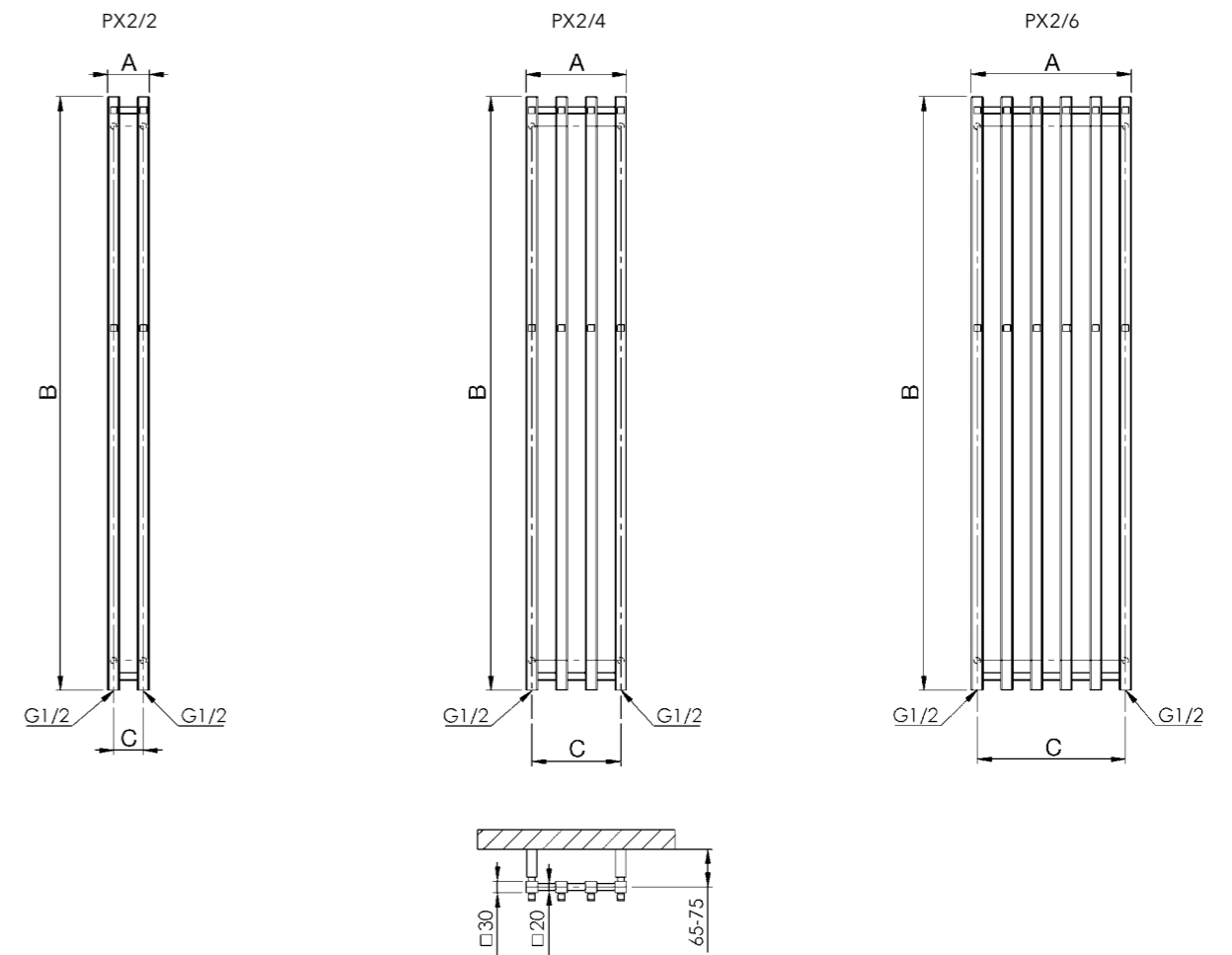
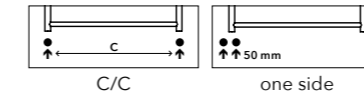
PLUTO PX2C/2
chrome
105 x 1500 mm



PLUTO PX2C/4
chrome
255 x 1500 mm

Location of "attachment" to the wall: ↓ 75 mm ↑ 75 mm
 Central heating: YES
 Combination heating: YES
 Electric heating: YES
 Vertical profile: 30 x 30 mm

Connection options:



Chrome**	Width (A) x Height (B) [mm]	HO [W] Δt 20°C*		Weight [kg]	Volume [l]	Connection span (C) [mm]	Max.recommended electric heating element [W]
		75/65°C	55/45°C				
PX2C/2	105 x 1500	175	92	4,74	3	75	200
PX2C/4	255 x 1500	350	182	9,46	6	225	300
PX2C/6	405 x 1500	524	273	14,19	9	375	400

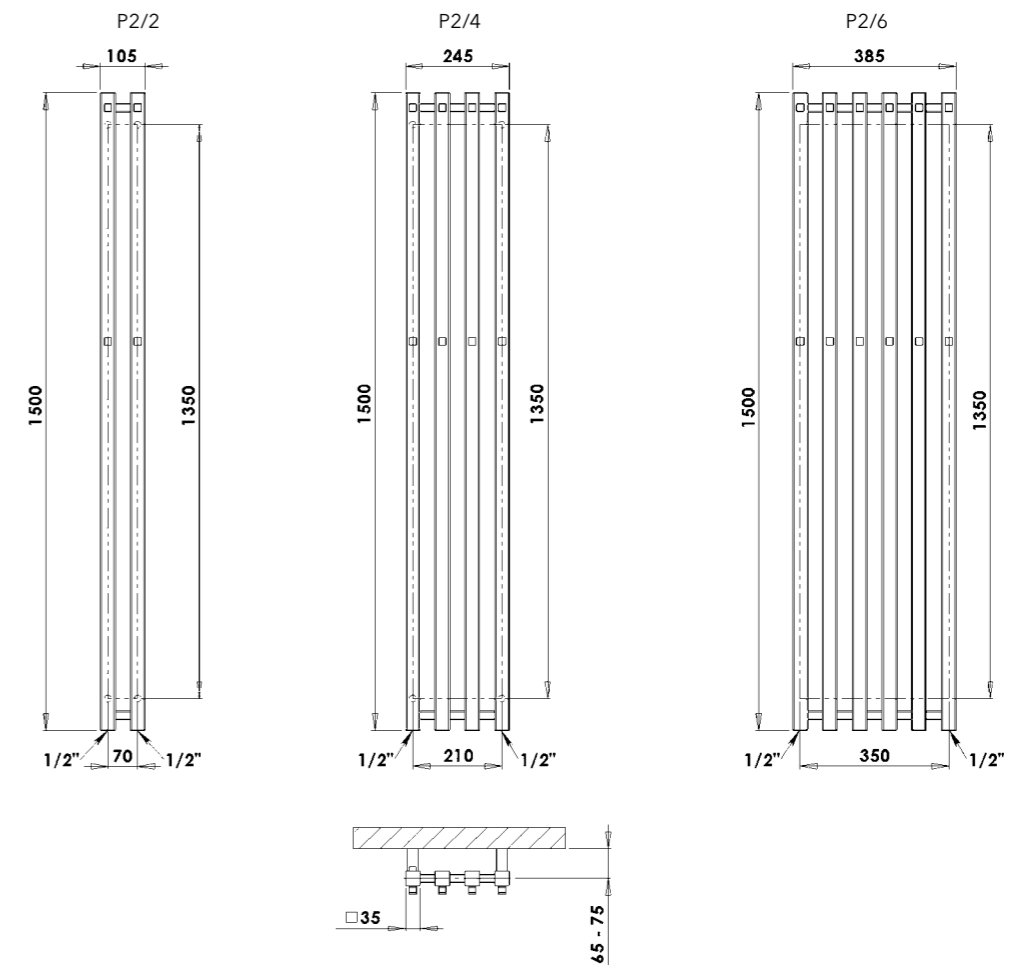
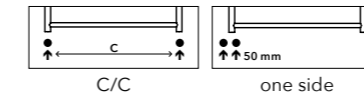
*Calculation of temperature gradients can be viewed on www.pmh-co.cz. **Heat output of chrome versions can be 20% lower.
 PX2/2-105 x 1500 -one-point valve cannot be used in combination with a heating rod.



PLUTO P2W/4
white coated
245 x 1500 mm

Location of "attachment" to the wall: ↓ 75 mm ↑ 75 mm
 Central heating: YES
 Combination heating: YES
 Electric heating: YES
 Vertical profile: 35 x 35 mm

Connection options:



White coated	Other surface finish (coated)*	Width (A) x Height (B) [mm]	HO [W] Δt 20°C**		Weight [kg]	Volume [l]	Connection span (C) [mm]	Max. recommended electric heating element [W]
			75/65°C	55/45°C				
P2W/2	P2/2	105 x 1500	203	106	4,74	3	70	200
P2W/4	P2/4	245 x 1500	406	211	9,46	6	210	300
P2W/6	P2/6	385 x 1500	609	317	14,19	9	350	500

*Other surface finishes see page 78. **Calculation of temperature gradients can be viewed on www.pmh-co.cz.
 P2/2 - 105 x 1500 - one-point valve cannot be used in combination with a heating rod.

ULYSSES

ULYSSES



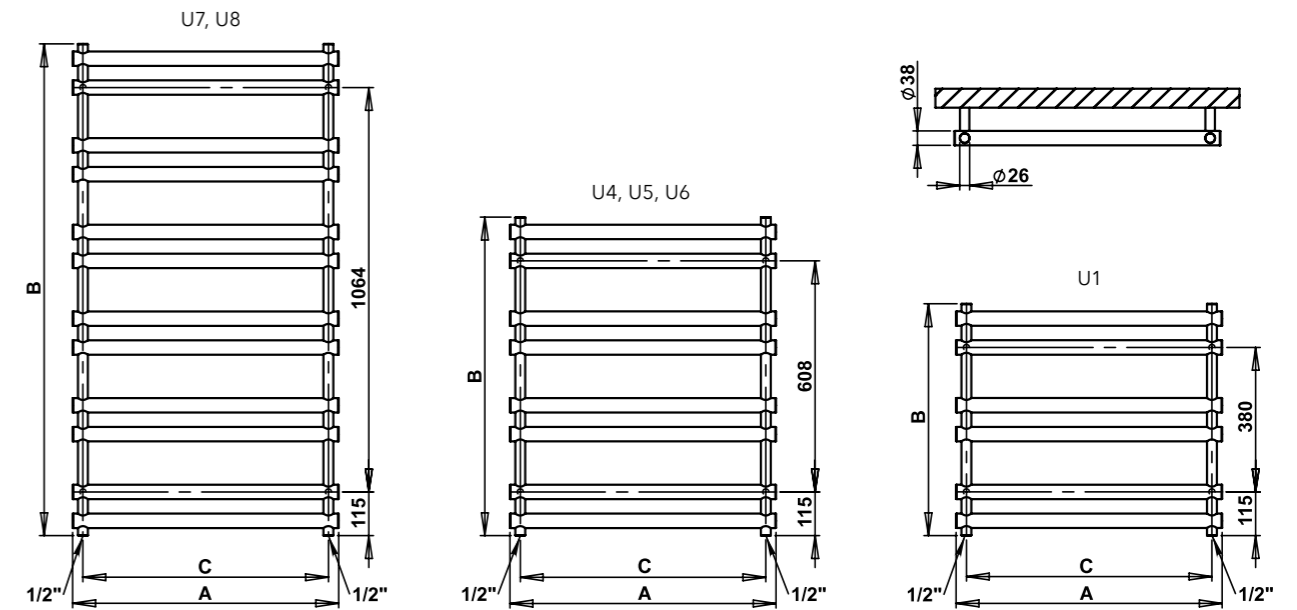
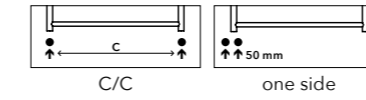
ULYSSES U4C - chrome
500 x 838 mm



ULYSSES U7MS - metallic silver
500 x 1294 mm

Location of "attachment" to the wall: ↓ 115 mm ↑ 115 mm
 Central heating: YES
 Combination heating: YES
 Electric heating: YES
 Horizontal tubes: Ø 38 mm
 Vertical tubes: Ø 26 mm

Connection options:



Chrome**	Other surface finish (coated)*	Width (A) x Height (B) [mm]	HO [W] Δt 20°C***		Weight [kg]	Volume [l]	Connection span (C) [mm]	Max. recommended electric heating element [W]
			75/65°C	55/45°C				
U1C	U1	500 x 610	200	104	5,0	3,0	446	200
U4C	U4	500 x 838	268	139	6,7	4,1	446	200
U5C	U5	700 x 838	359	187	8,8	5,6	646	300
U6C	U6	900 x 838	450	234	11,0	7,2	846	300
U7C	U7	500 x 1294	405	211	10,0	6,2	446	300
U8C	U8	700 x 1294	542	282	13,2	8,5	646	400

*Other surface finishes see page 78. **Heat output of chrome versions can be 20% lower.

***Calculation of temperature gradients can be viewed on www.pmh-co.cz.

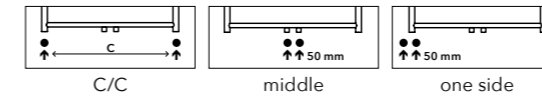


PEGASUS PG5RE - claret coated (structural colour), 608 × 1220 mm chrome hanger DH

PEGASUS PG8W - white coated 608 × 1700 mm chrome hanger DH

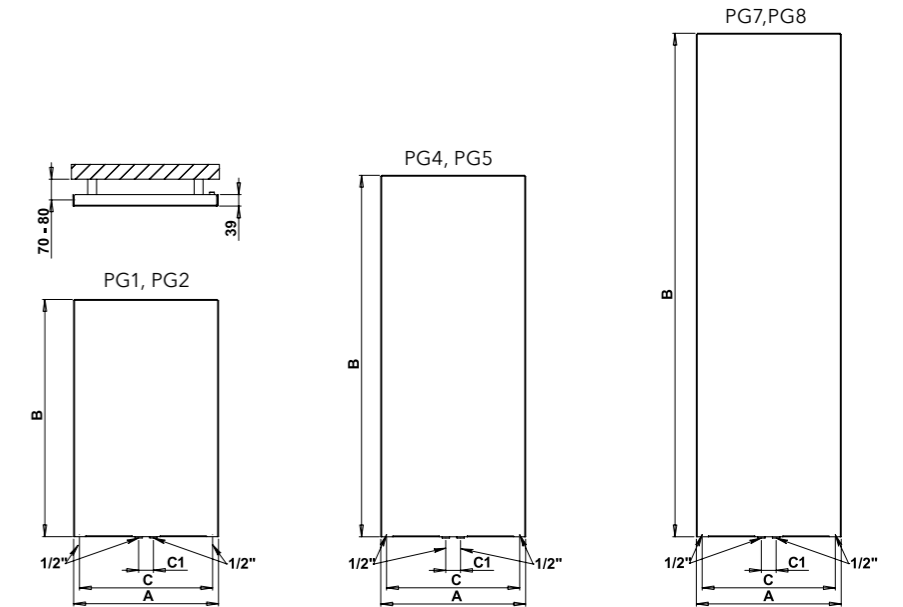
Central heating: YES
 Combination heating: YES
 Electric heating: YES

Connection options:



Chrome hangers

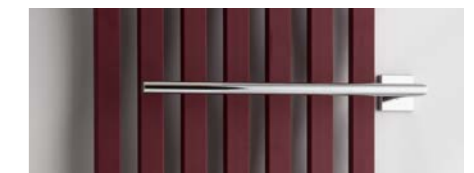
PGH1	490 × 164 mm
PGH2	605 × 164 mm
PGH3	760 × 164 mm
DH	760 × 164 mm
PGH1H	490 × 164 mm
PGH2H	605 × 164 mm
PGH3H	760 × 164 mm



Chrome hanger DH



Chrome hanger PGH1H - square



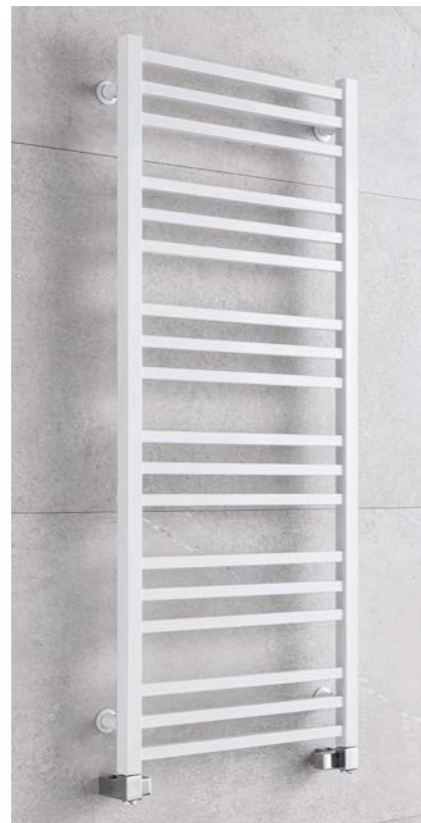
Chrome hanger PGH1

Polished stainless steel	Brushed stainless steel	White coated	Other surface finish (coated)*	Width (A) x Height (B) [mm]	HO [W] Δt 20°C**		Weight [kg]	Volume [l]	Connection span (C/C1) [mm]	Max. recommended electric heating element [W]
					75/65°C	55/45°C				
PG1C	PG1SS	PG1W	PG1	488 × 800	329	171	9,0	4,2	450/50	200
PG2C	PG2SS	PG2W	PG2	608 × 800	445	231	11,0	4,9	570/50	300
PG4C	PG4SS	PG4W	PG4	488 × 1220	523	272	14,0	6,6	450/50	300
PG5C	PG5SS	PG5W	PG5	608 × 1220	682	355	16,8	7,9	570/50	400
PG7C	PG7SS	PG7W	PG7	488 × 1700	716	372	19,9	9,0	450/50	400
PG8C	PG8SS	PG8W	PG8	608 × 1700	928	483	22,8	10,7	570/50	600

*Other surface finishes see page 78. **Calculation of temperature gradients can be viewed on www.pmh-co.cz.



AVENTO AVLC - chrom
905 × 480 mm



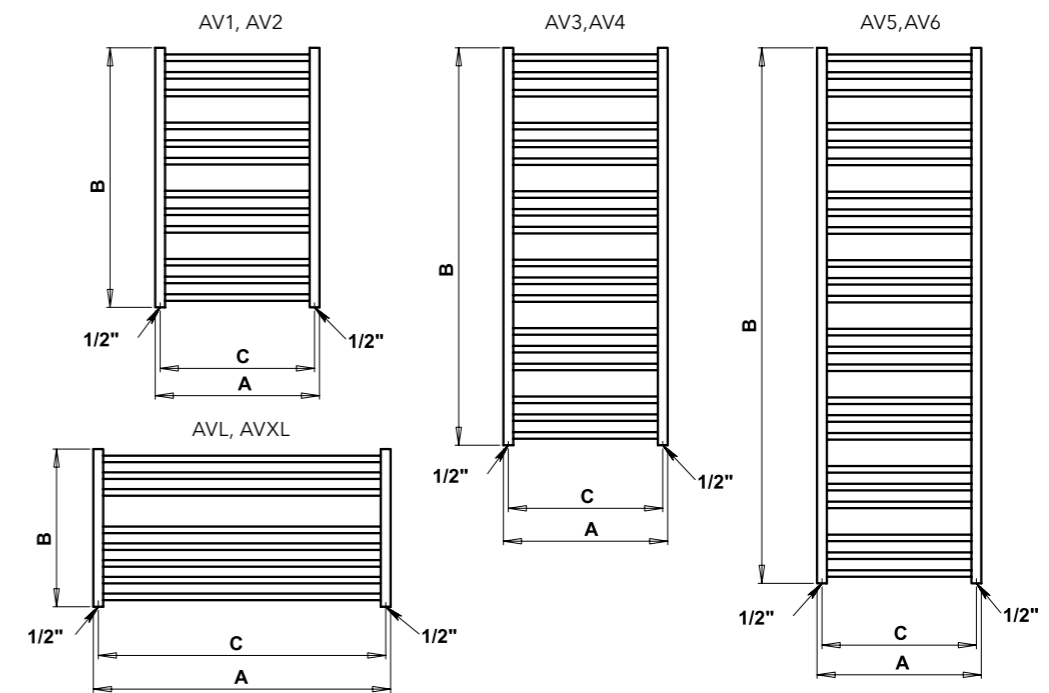
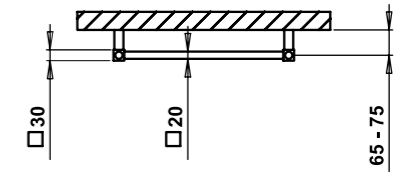
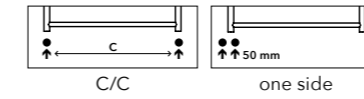
AVENTO AV3W - white coated
500 × 1210 mm



AVENTO AV4B - black coated
600 × 1210 mm

Location of "attachment" to the wall: ↓ 80 mm ↑ 80 mm
 Central heating: YES
 Combination heating: YES
 Electric heating: YES

Connection options:



Chrome**	Brushed stainless steel	White coated	Other surface finish (coated)*	Width (A) x Height (B) [mm]	HO [W] Δt 20°C***		Weight [kg]	Volume [l]	Connection span (C) [mm]	Max.recommended electric heating element [W]
					75/65°C	55/45°C				
AV1C	AV1SS	AV1W	AV1	500 × 790	310	161	7,5	2,7	470	200
AV2C	AV2SS	AV2W	AV2	600 × 790	407	212	8,5	3,0	570	300
AV3C	AV3SS	AV3W	AV3	500 × 1210	468	243	11,1	4,0	470	300
AV4C	AV4SS	AV4W	AV4	600 × 1210	588	306	12,9	4,6	570	300
AV5C	AV5SS	AV5W	AV5	500 × 1630	622	323	14,8	5,3	470	400
AV6C	AV6SS	AV6W	AV6	600 × 1630	783	407	17,2	6,2	570	500
Horizontal design										
AVLC	AVLSS	AVLW	AVL	905 × 480	422	219	8,7	2,7	875	300
AVXLC	AVXLSS	AVXLW	AVXL	1210 × 480	484	252	11,2	3,4	1180	300

*Other surface finishes see page 78. **Heat output of chrome versions can be 20% lower.

***Calculation of temperature gradients can be viewed on www.pmh-co.cz.

• L and XL versions are not recommended for use with electric heating element.

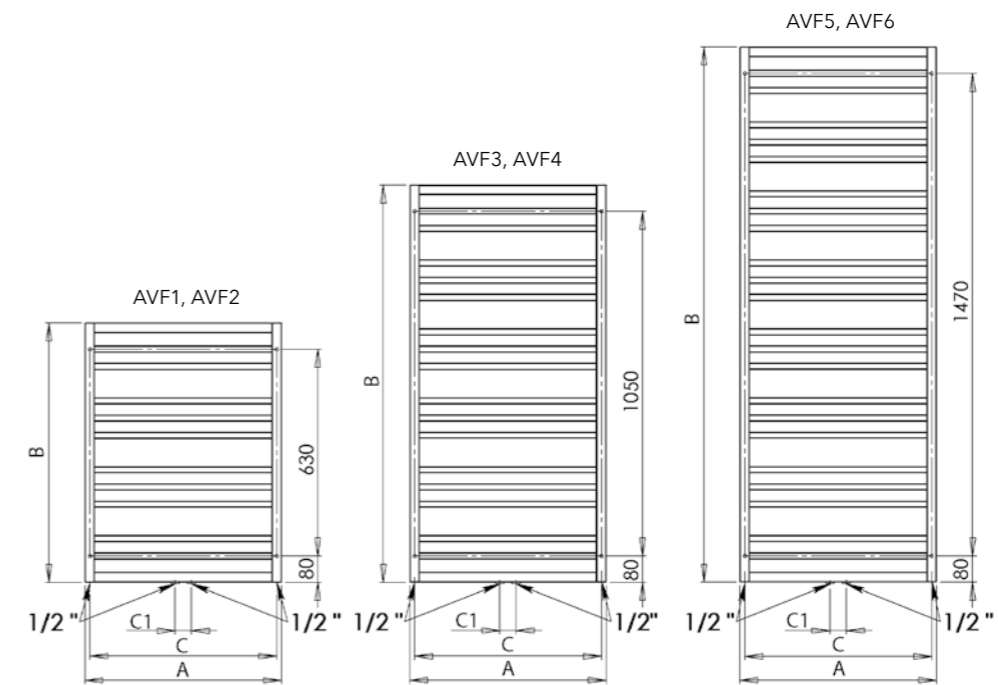
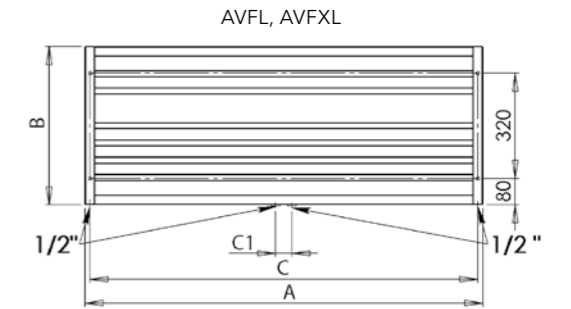
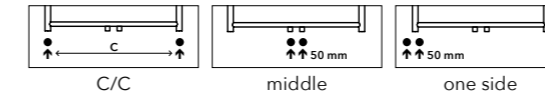
AVENTO FRAME

AVENTO FRAME



Location of "attachment" to the wall: ↓ 80 mm ↑ 80 mm
 Central heating: YES
 Combination heating: YES
 Electric heating: YES
 Horizontal profile: 20 × 20 mm
 Vertical profile: 30 × 30 mm

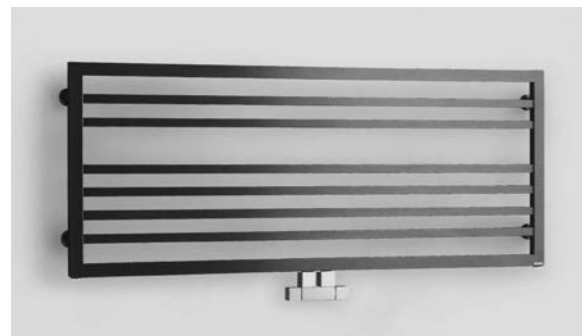
Connection options:



AVENTO AVF4BE
 beige (structural colour)
 600 × 1210 mm



AVENTO AVF4C
 chrome
 600 × 1210 mm



AVENTO AVFLA
 anthracite coated, horizontal design
 905 × 480 mm

Chrome**	White coated	Other surface finish (coated)*	Width (A) x Height (B) [mm]	HO [W] Δt 20°C***		Weight [kg]	Volume [l]	Connection span (C/C1) [mm]	Max. recommended electric heating element [W]
				75/65°C	55/45°C				
AVF1C	AVF1W	AVF1	500 × 790	310	161	7,5	2,7	470/50	200
AVF2C	AVF2W	AVF2	600 × 790	407	212	8,5	3	570/50	300
AVF3C	AVF3W	AVF3	500 × 1210	468	243	11,1	4	470/50	300
AVF4C	AVF4W	AVF4	600 × 1210	588	306	12,9	4,6	570/50	300
AVF5C	AVF5W	AVF5	500 × 1630	622	323	14,8	5,3	470/50	400
AVF6C	AVF6W	AVF6	600 × 1630	783	407	17,2	6,2	570/50	500
Horizontal design									
AVFLC	AVFLW	AVFL	905 × 480	422	219	8,7	2,7	875/50	–
AVFXLC	AVFXLW	AVFXL	1210 × 480	484	252	11,2	3,4	1180/50	–

*Other surface finishes see page 78. **Heat output of chrome versions can be 20% lower.

***Calculation of temperature gradients can be viewed on www.pmh-co.cz.

For L and XL version, we do not recommend electric heating.



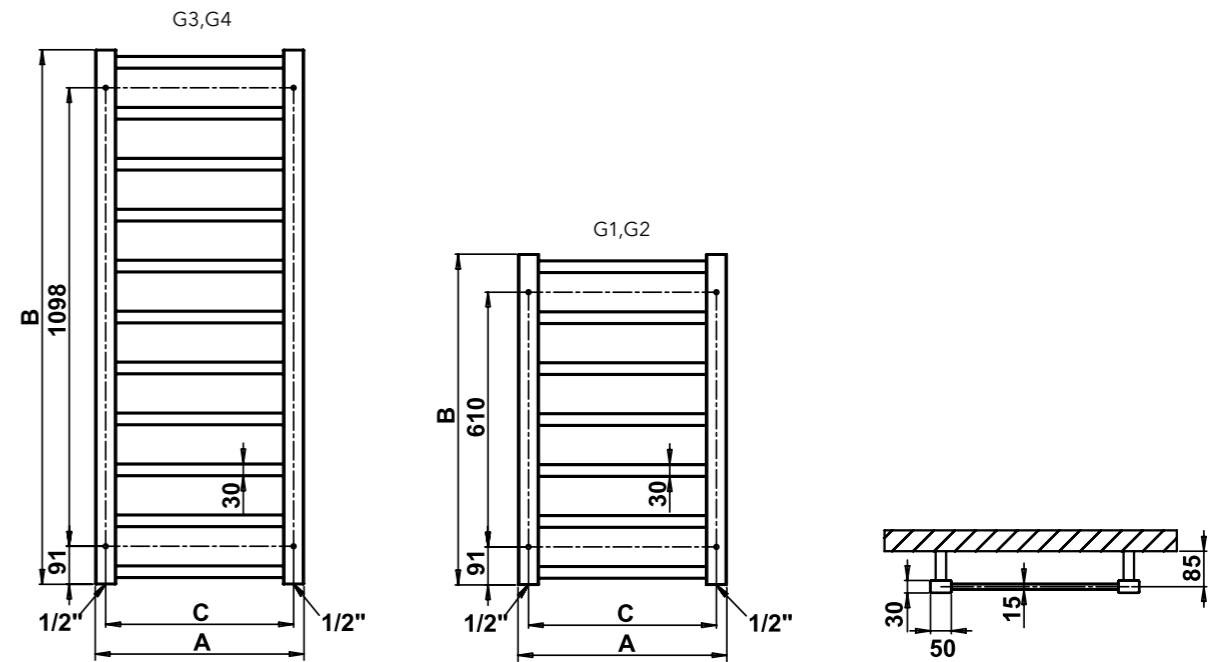
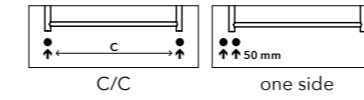
GALEON G1C - chrome
500 × 792 mm



GALEON G2WE - white coated
(structural colour)
600 × 792 mm

Location of "attachment" to the wall: ↓ 91 mm ↑ 91 mm
 Central heating: YES
 Combination heating: YES
 Electric heating: YES
 Horizontal profile: 15 × 30 mm
 Vertical profile: 30 × 50 mm

Connection options:



Chrome**	Brushed stainless steel	White coated	Other surface finish (coated)*	Width (A) x Height (B) [mm]	HO [W] Δt 20°C***		Weight [kg]	Volume [l]	Connection span (C) [mm]	Max.recommended electric heating element [W]
					75/65°C	55/45°C				
G1C	G1SS	G1W	G1	500 × 792	260	135	6,5	2,9	450	200
G2C	G2SS	G2W	G2	600 × 792	340	177	7,1	3,1	550	300
G3C	G3SS	G3W	G3	500 × 1280	390	203	9,3	4,7	450	300
G4C	G4SS	G4W	G4	600 × 1280	490	255	10,7	5,0	550	300

*Other surface finishes see page 78. **Heat output of chrome versions can be 20% lower.

***Calculation of temperature gradients can be viewed on www.pmh-co.cz.



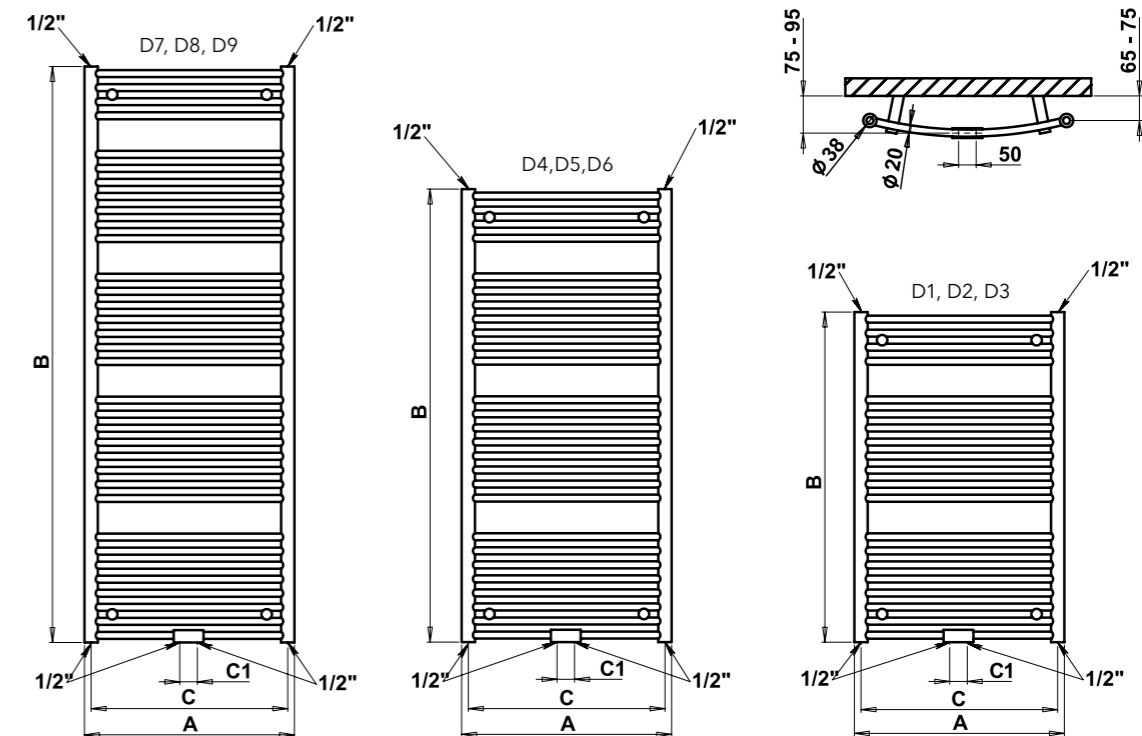
DANBY D5C - chrome
600 × 1290 mm



DANBY D7W - white coated
450 × 1640 mm

Central heating: YES
Combination heating: YES
Electric heating: YES

Connection options:



Chrome**	Brushed stainless steel	White coated	Other surface finish (coated)*	Width (A) x Height (B) [mm]	HO [W] At 20°C***		Weight [kg]	Volume [l]	Connection span (C/C1) [mm]	Max. recommended electric heating element [W]
					75/65°C	55/45°C				
D1C	D1SS	D1W	D1	450 × 940	412	214	8,3	4,5	415/50	300
D2C	D2SS	D2W	D2	600 × 940	528	275	10,1	5,5	560/50	400
D3C	D3SS	D3W	D3	750 × 940	642	334	11,7	6,4	712/50	400
D4C	D4SS	D4W	D4	450 × 1290	559	291	11,2	6,1	415/50	400
D5C	D5SS	D5W	D5	600 × 1290	716	372	13,5	7,4	560/50	500
D6C	D6SS	D6W	D6	750 × 1290	870	452	15,4	8,8	712/50	600
D7C	D7SS	D7W	D7	450 × 1640	702	365	13,7	7,8	415/50	400
D8C	D8SS	D8W	D8	600 × 1640	898	467	16,5	9,4	560/50	600
D9C	D9SS	D9W	D9	750 × 1640	1081	562	19,4	11,0	712/50	700

*Other surface finishes see page 78. **Heat output of chrome versions can be 20% lower.

***Calculation of temperature gradients can be viewed on www.pmh-co.cz.



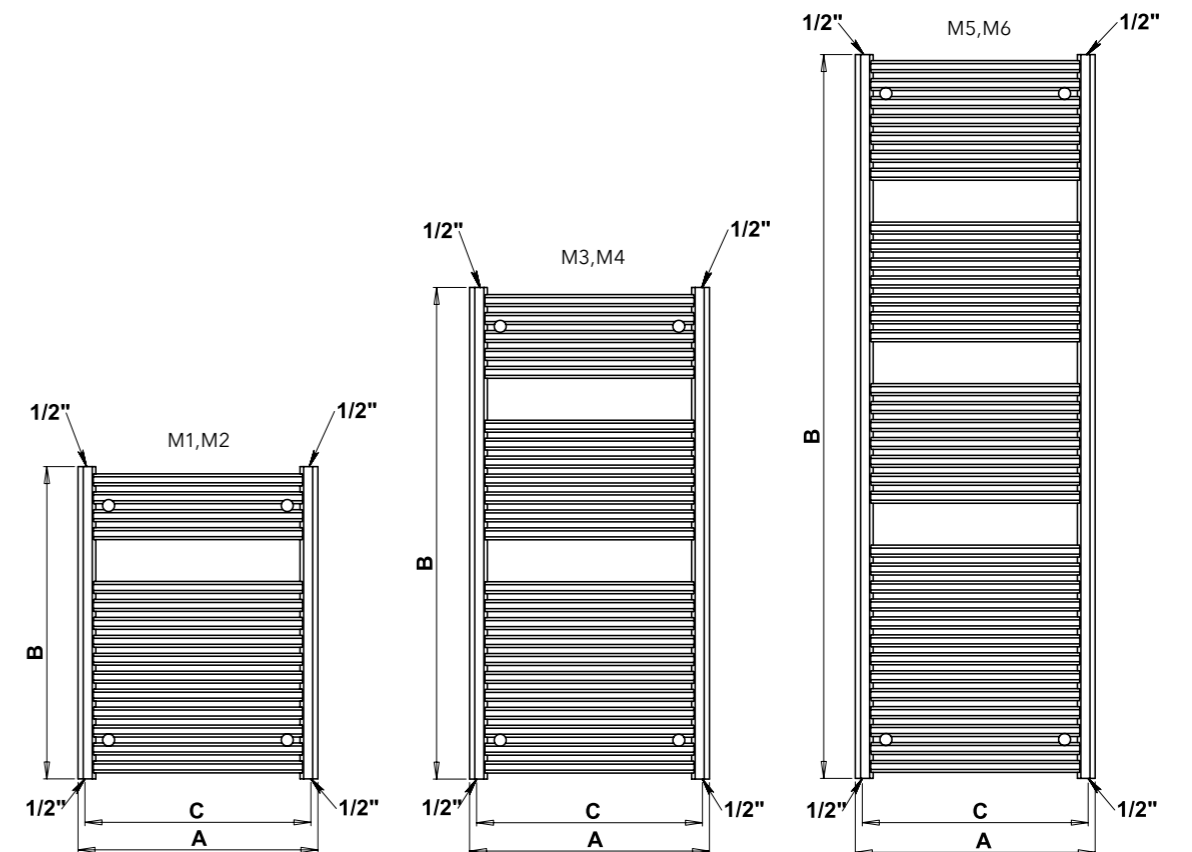
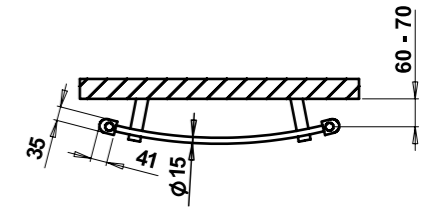
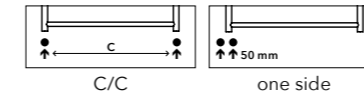
MARABU CM5
chrome
450 × 1815 mm



MARABU M3RE
claret coated (structural colour)
450 × 1233 mm

Central heating: YES
Combination heating: YES
Electric heating: YES
Horizontal tubes: 30 × 15 × 1,5 mm
Vertical tubes: 41 × 35 × 1,5 mm

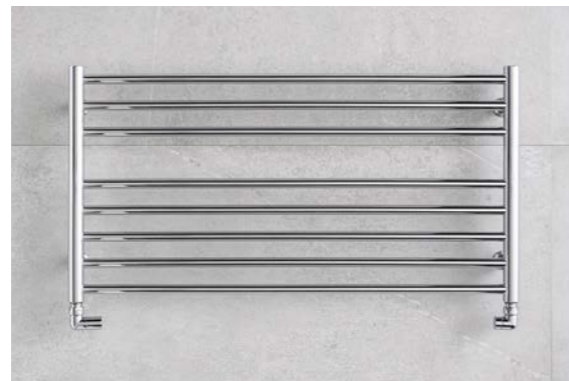
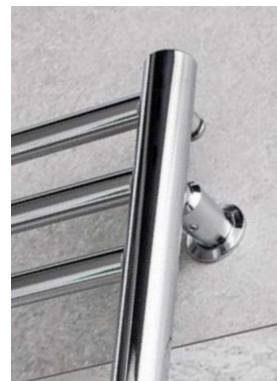
Connection options:



Chrome**	White coated	Other surface finish (coated)*	Width (A) x Height (B) [mm]	HO [W] Δt 20°C***		Weight [kg]	Volume [l]	Connection span (C) [mm]	Max. recommended electric heating element [W]
				75/65°C	55/45°C				
CM1	M1W	M1	450 × 783	275	143	6,1	3,4	405	200
CM2	M2W	M2	600 × 783	366	190	6,8	3,9	555	300
CM3	M3W	M3	450 × 1233	406	211	9,2	5,3	405	300
CM4	M4W	M4	600 × 1233	541	281	10,6	5,9	555	400
CM5	M5W	M5	450 × 1815	622	323	13,9	7,2	405	400
CM6	M6W	M6	600 × 1815	829	431	15,1	8,9	555	500

*Other surface finishes see page 78. **Heat output of chrome versions can be 20% lower.

***Calculation of temperature gradients can be viewed on www.pmh-co.cz.



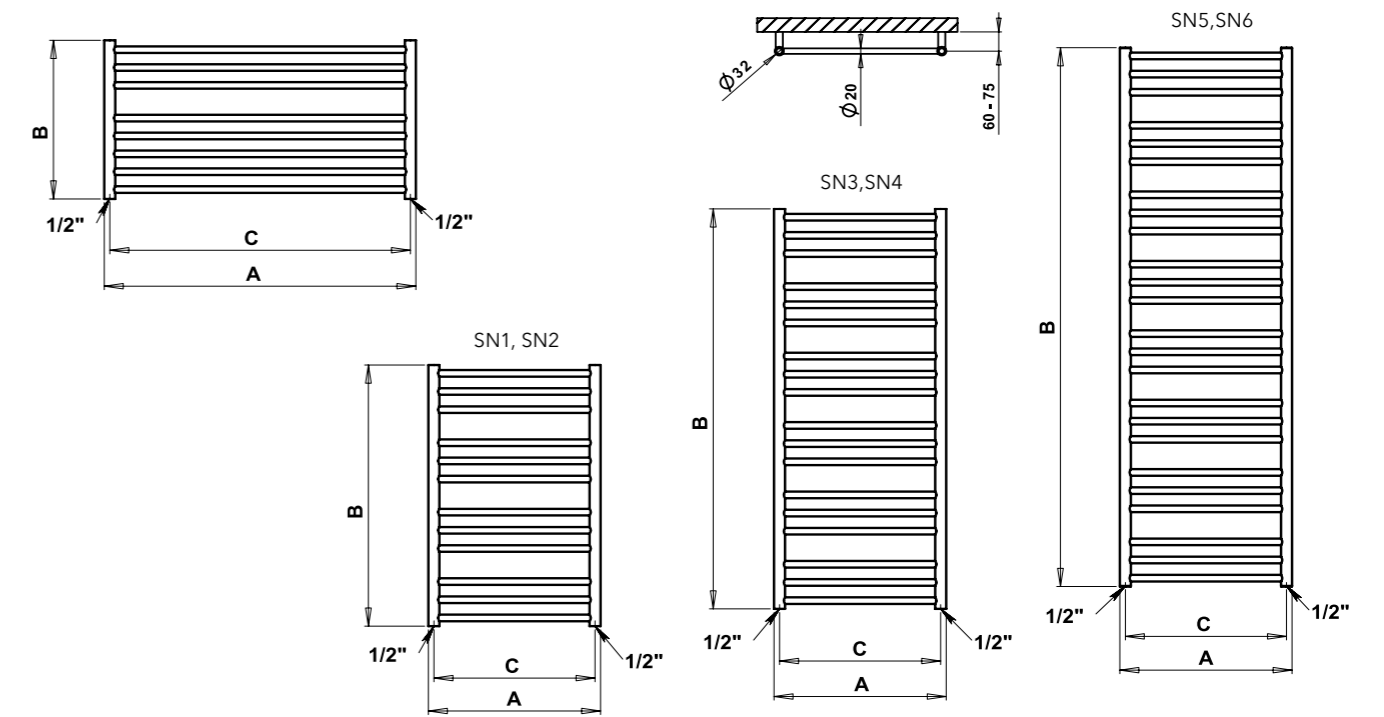
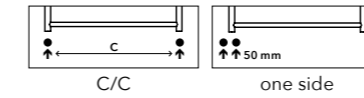
Sorano SNXLC - chrome
1210 x 480 mm



SORANO SN6C - chrome
600 x 1630 mm

Location of "attachment" to the wall: ↓ 80 mm ↑ 80 mm
 Central heating: YES
 Combination heating: YES
 Electric heating: YES
 Horizontal tubes: Ø 20 mm
 Vertical tubes: Ø 32 mm

Connection options:



Chrome**	Brushed stainless steel	White coated	Other surface finish (coated)*	Width (A) x Height (B) [mm]	HO [W] Δt 20°C***		Weight [kg]	Volume [l]	Connection span (C) [mm]	Max. recommended electric heating element [W]
					75/65°C	55/45°C				
SN1C	SN1SS	SN1W	SN1	500 x 790	248	129	6,0	2,2	468	200
SN2C	SN2SS	SN2W	SN2	600 x 790	325	169	6,9	2,5	568	200
SN3C	SN3SS	SN3W	SN3	500 x 1210	374	194	9,1	3,4	468	300
SN4C	SN4SS	SN4W	SN4	600 x 1210	470	244	10,5	3,8	568	300
SN5C	SN5SS	SN5W	SN5	500 x 1630	498	259	10,9	4,4	468	400
SN6C	SN6SS	SN6W	SN6	600 x 1630	626	326	12,5	5,0	568	400
Horizontal design										
SNLC	SNLSS	SNLW	SNL	905 x 480	299	155	7,5	2,3	873	200
SNXLC	SNXLSS	SNXLW	SNXL	1210 x 480	387	201	8,7	2,8	1175	300

*Other surface finishes see page 78. **Heat output of chrome versions can be 20% lower.

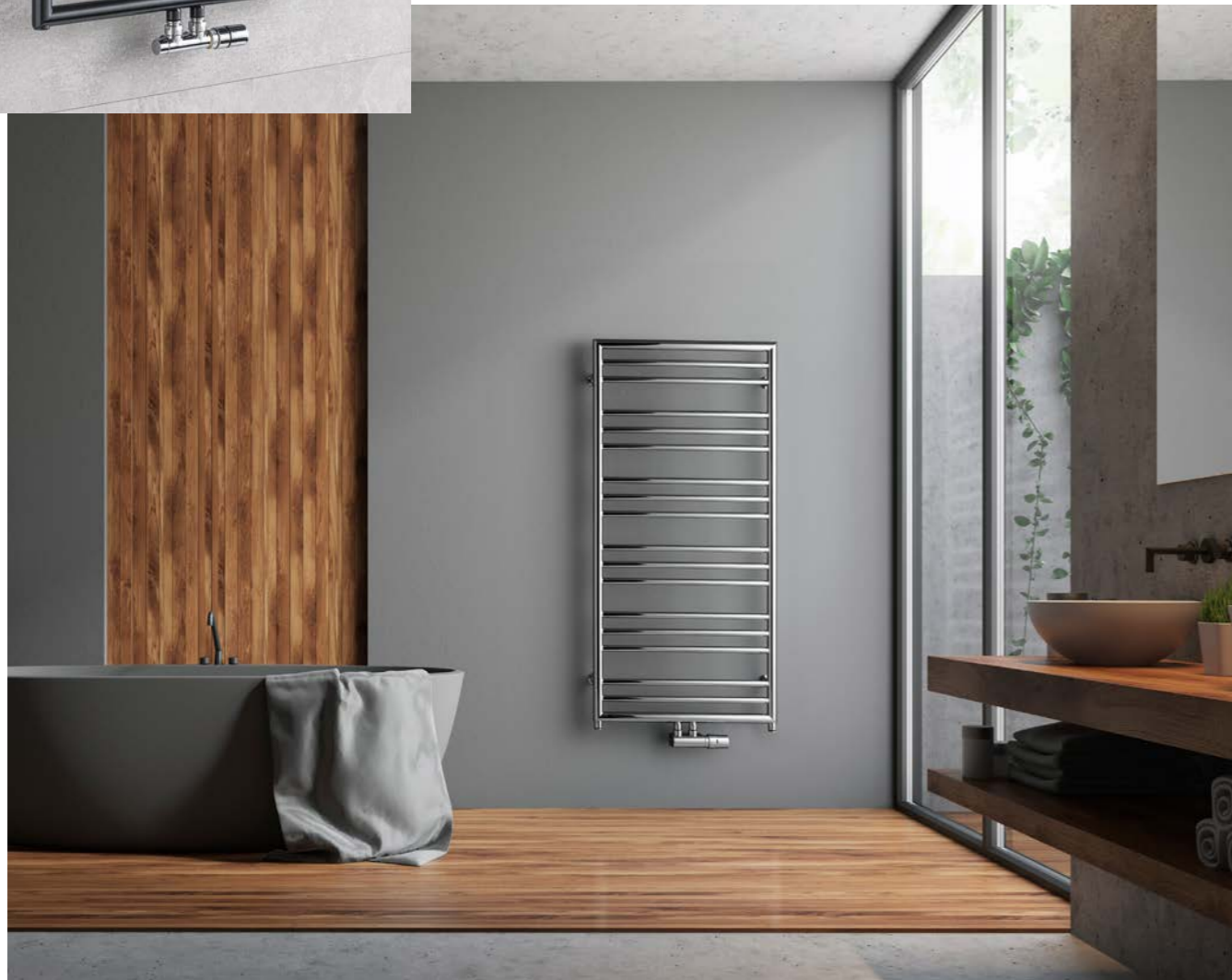
***Calculation of temperature gradients can be viewed on www.pmh-co.cz.

L and XL versions are not recommended for heating only with electric heating element.

SORANO FRAME



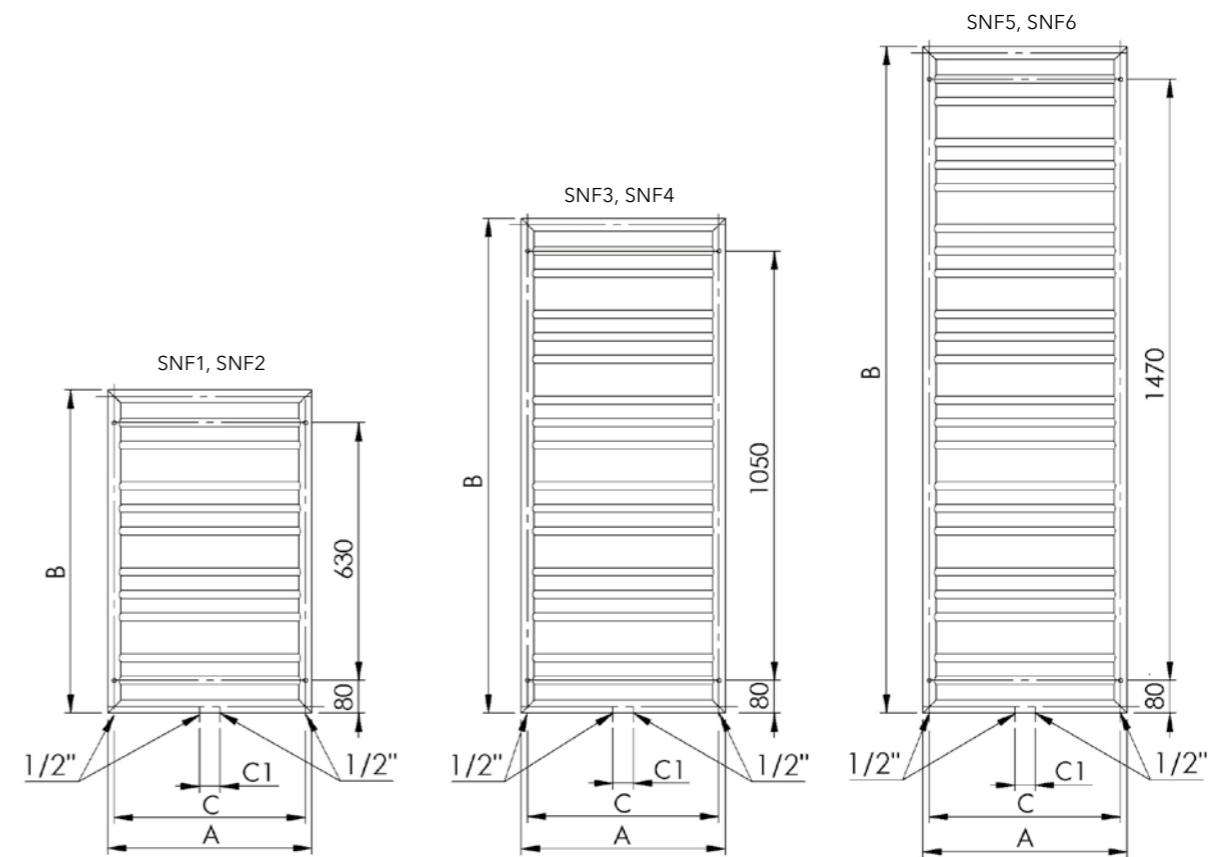
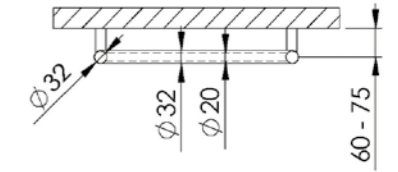
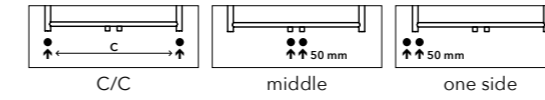
SORANO SNF4A
anthracite coated
600 × 1210 mm



SORANO FRAME

Location of "attachment" to the wall: ↓ 80 mm ↑ 80 mm
 Central heating: YES
 Combination heating: YES
 Electric heating: YES
 Horizontal tubes: Ø 20 mm
 Vertical tubes: Ø 32 mm

Connection options:



Chrome**	White coated	Other surface finish (coated)*	Width (A) x Height (B) [mm]	HO [W] Δt 20°C***		Weight [kg]	Volume [l]	Connection span (C/C1) [mm]	Max. recommended electric heating element [W]
				75/65°C	55/45°C				
SNF1C	SNF1W	SNF1	500 × 790	248	129	6,0	2,2	468/50	200
SNF2C	SNF2W	SNF2	600 × 790	325	169	6,9	2,5	568/50	200
SNF3C	SNF3W	SNF3	500 × 1210	374	194	9,1	3,4	468/50	300
SNF4C	SNF4W	SNF4	600 × 1210	470	244	10,5	3,8	568/50	300
SNF5C	SNF5W	SNF5	500 × 1630	498	259	10,9	4,4	468/50	400
SNF6C	SNF6W	SNF6	600 × 1630	626	326	12,5	5,0	568/50	400

*Other surface finishes see page 78. **Heat output of chrome versions can be 20% lower.

***Calculation of temperature gradients can be viewed on www.pmh-co.cz.

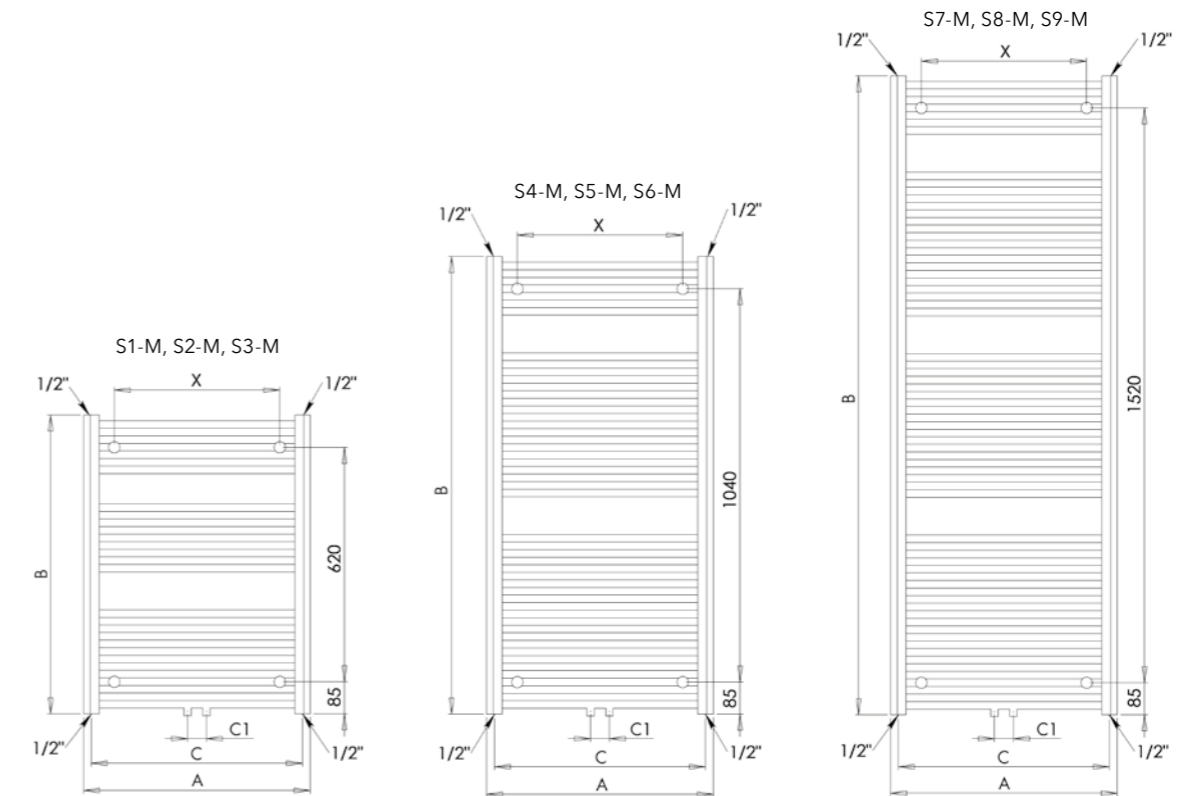
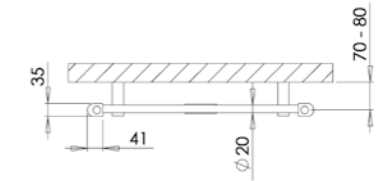
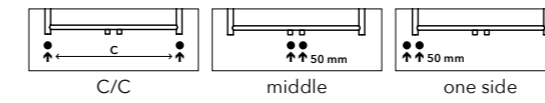


SAVOY CS5-M - chrome
600 x 1210 mm



Central heating: YES
 Combination heating: YES
 Electric heating: YES
 Horizontal tubes: Ø 20 mm
 Vertical tubes: 41 x 35 x 1,5 mm

Connection options:



Chrome**	White coated	Other surface finish (coated)*	Width (A) x Height (B) [mm]	HO [W] Δt 20°C***		Weight [kg]	Volume [l]	Connection span (C/C1) [mm]	Max. recommended electric heating element [W]
				75/65°C	55/45°C				
CS1-M	S1W-M	S1-M	480 x 790	313	163	6,5	4,3	439/50	200
CS2-M	S2W-M	S2-M	600 x 790	424	220	8,0	5,0	557/50	300
CS3-M	S3W-M	S3-M	750 x 790	514	267	9,6	6,0	708/50	300
CS4-M	S4W-M	S4-M	480 x 1210	498	259	10,2	6,8	439/50	300
CS5-M	S5W-M	S5-M	600 x 1210	650	338	12,1	8,1	557/50	400
CS6-M	S6W-M	S6-M	750 x 1210	796	414	14,1	9,6	708/50	500
CS7-M	S7W-M	S7-M	480 x 1690	682	355	14,0	9,3	439/50	400
CS8-M	S8W-M	S8-M	600 x 1690	884	460	16,2	11,0	557/50	600
CS9-M	S9W-M	S9-M	750 x 1690	1092	568	19,2	13,1	708/50	700

*Other surface finishes see page 78. **Heat output of chrome versions can be 20% lower.

***Calculation of temperature gradients can be viewed on www.pmh-co.cz.



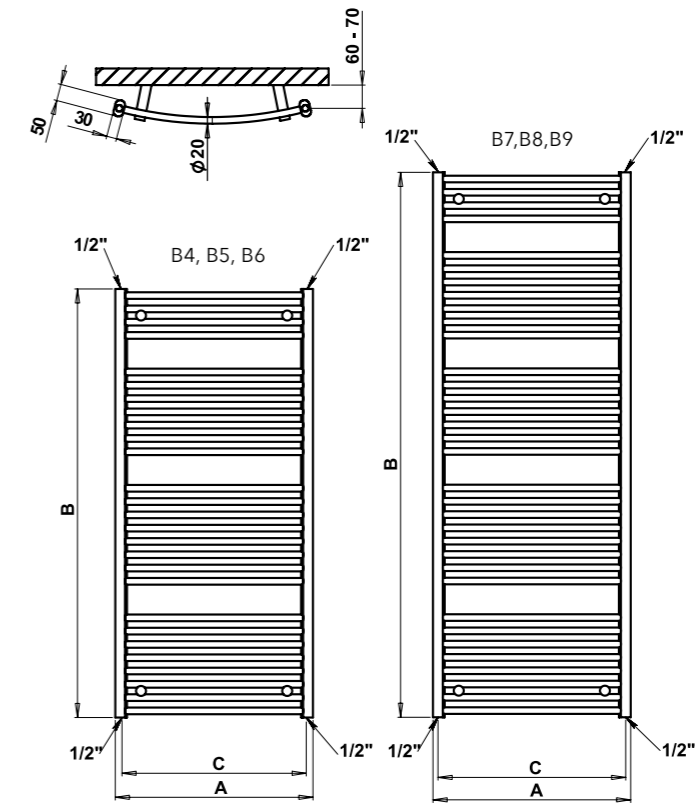
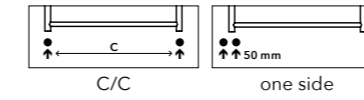
BLLENHEIM B5BR
brown coated (structural colour)
600 × 1290 mm



BLLENHEIM CB8
chrome
600 × 1640 mm

Central heating: YES
Combination heating: YES
Electric heating: YES
Horizontal tubes: Ø 20 mm
Vertical tubes: 50 × 30 × 1,5 mm

Connection options:



Chrome**	White coated	Other surface finish (coated)*	Width (A) x Height (B) [mm]	HO [W] Δt 20°C ***		Weight [kg]	Volume [l]	Connection span (C) [mm]	Max. recommended electric heating element [W]
				75/65°C	55/45°C				
CB4	B4W	B4	450 × 1290	559	291	11,2	6,1	415	400
CB5	B5W	B5	600 × 1290	716	372	13,5	7,4	560	500
CB6	B6W	B6	750 × 1290	870	452	15,4	8,8	712	600
CB7	B7W	B7	450 × 1640	702	365	13,7	7,8	415	400
CB8	B8W	B8	600 × 1640	898	467	16,5	9,4	560	600
CB9	B9W	B9	750 × 1640	1081	562	19,4	11,0	712	700

*Other surface finishes see page 78. **Heat output of chrome versions can be 20% lower.

***Calculation of temperature gradients can be viewed on www.pmh-co.cz.

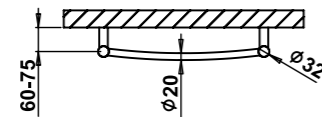
LAVENO



LAVENO LN3C - chrome
500 × 1210 mm



CURVED VERSION



Chrome**	Brushed stainless steel	White coated	Other surface finish (coated)*	Width (A) x Height (B) [mm]	HO [W] Δt 20°C***		Weight [kg]	Volume [l]	Connection span (C) [mm]	Max. recommended electric heating element [W]
					75/65°C	55/45°C				
LN1C	LN1SS	LN1W	LN1	500 × 790	248	129	6,0	2,2	468	200
LN2C	LN2SS	LN2W	LN2	600 × 790	325	169	6,9	2,5	568	200
LN3C	LN3SS	LN3W	LN3	500 × 1210	374	194	9,1	3,4	468	300
LN4C	LN4SS	LN4W	LN4	600 × 1210	470	244	10,5	3,8	568	300

*Other surface finishes see page 78. **Heat output of chrome versions can be 20% lower.

***Calculation of temperature gradients can be viewed on www.pmh-co.cz.



ELECTRIC DRYERS

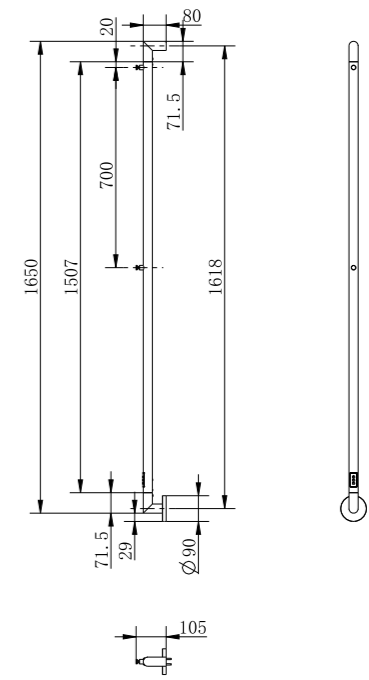


BOOSTER

Press the button 2h, 4h to set the towel rail to operate at maximum capacity for 2 or 4 hours. The heated towel rail will switch off automatically after 2 or 4 hours.

TIMER

Press the button 2h or 4h to active the timer and set the towel rail to operate at maximum capacity for 2 or 4 h. The heated towel rail will switch off automatically after 2 or 4 hours. The timer will reactivate automatically 22 or 20 hours after switching off.



Detail - ON/OFF
Function TIMER 2 h, 4 h
Function BOOSTER 2 h, 4 h



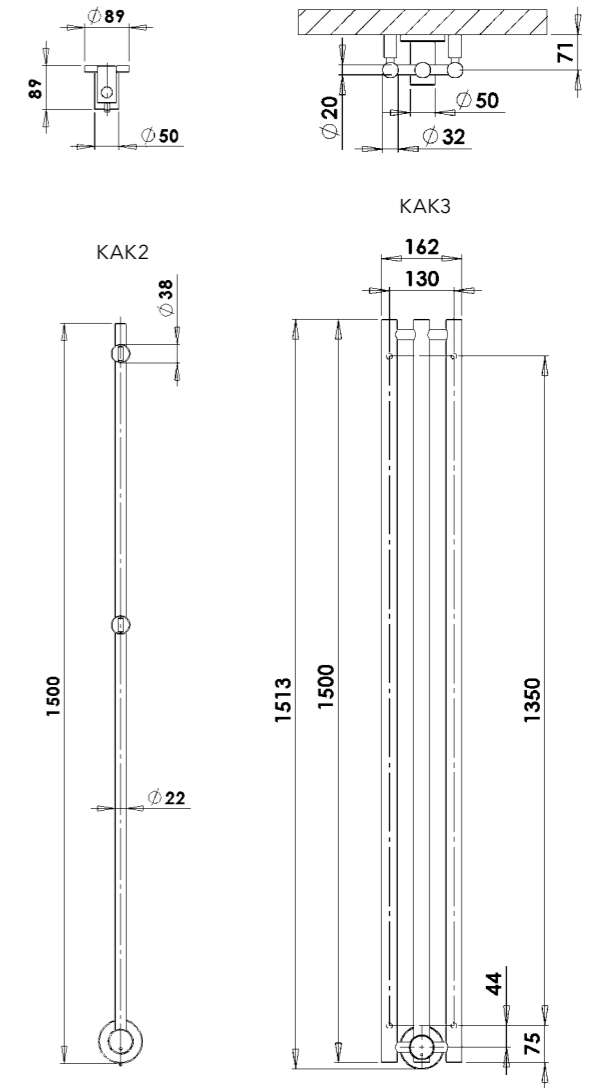
EINAR EI1SS
brushed stainless
90 × 1680 mm



EINAR EI1BA
black matt
90 × 1680 mm

Polished stainless steel	Black matt	Width (A) x Height (B) [mm]	Weight [kg]	HO [W]	Degree of protection
EI1SS	EI1BA	90 × 1680	1,5	28	IP44

The customer has an option to connect the electric dryer either with the cable socket or as a hidden connection. The cable is included.

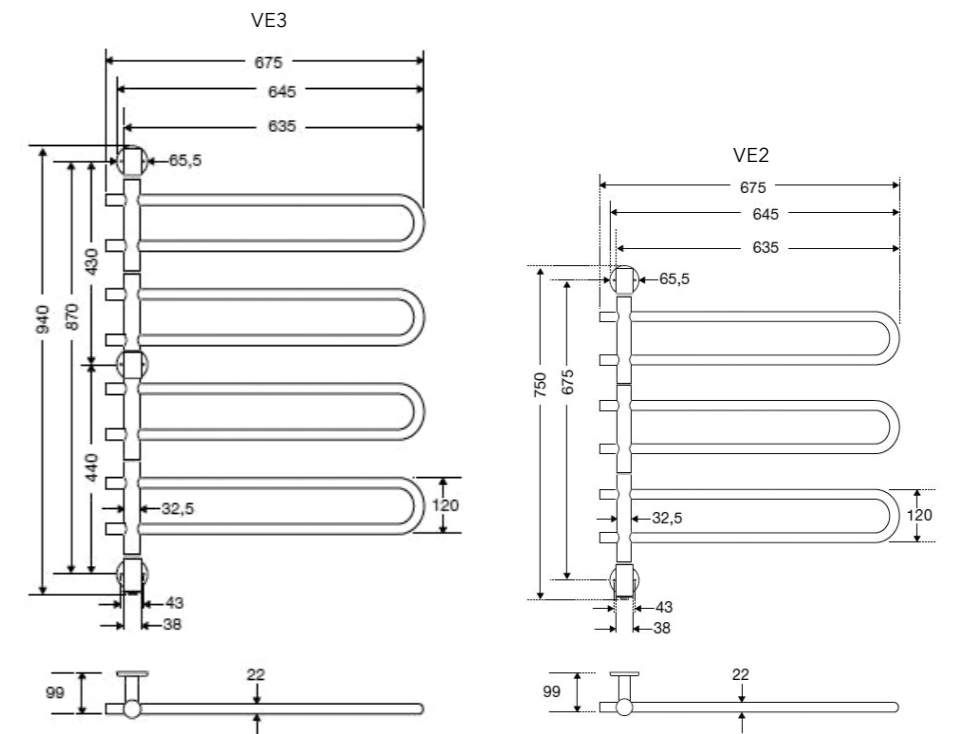


Chrome	Black matt	Width (A) x Height (B) [mm]	Weight [kg]	HO [W]	Degree of protection
KAK2C	KAK2BA	90 x 1500	2,8	35	IP54
	KAK3BA	162 x 1513	5,6	105	IP54
EK	Electrical cable - 1,5m				

When connecting via an electrical cable, the cable must be ordered separately.
At the bottom is ON/OFF signalization.



Venus is a practical and flexible electric dryer as its horizontal tubes can be individually rotated by 180 degrees. ON/OFF button is located at the bottom. Can be connected with a cable or a hidden connection.

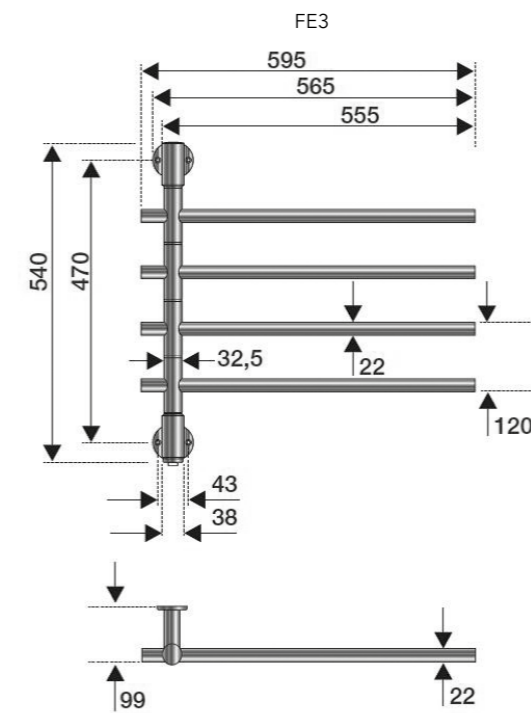


Polished stainless steel	Width (A) x Height (B) [mm]	Weight [kg]	HO [W]	Degree of protection
VE2SS	675 x 750	2,3	54	IP44
VE3SS	675 x 940	3,1	72	IP44
EK	Electrical cable - 1,5m			

When connecting via an electrical cable, the cable must be ordered separately.



Fenix is a practical and flexible electric dryer as its horizontal tubes can be individually rotated by 180 degrees. ON/OFF button is located at the bottom. Can be connected with a cable or a hidden connection.



Polished stainless steel	Width (A) x Height (B) [mm]	Weight [kg]	HO [W]	Degree of protection
FE3SS	595 x 540	1,6	40	IP44
EK	Electrical cable - 1,5m			

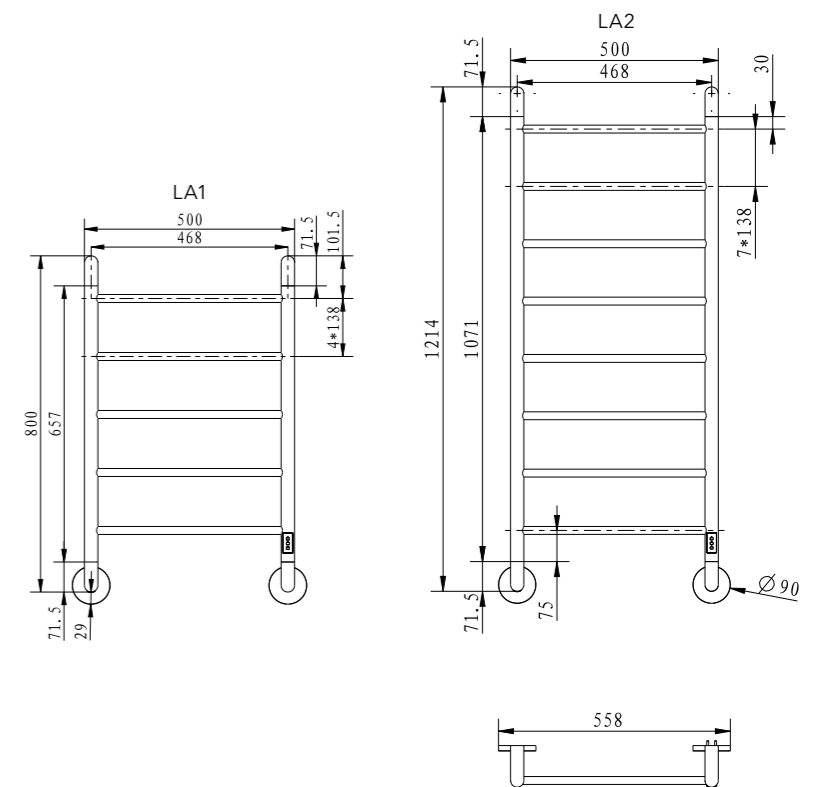
When connecting via an electrical cable, the cable must be ordered separately.



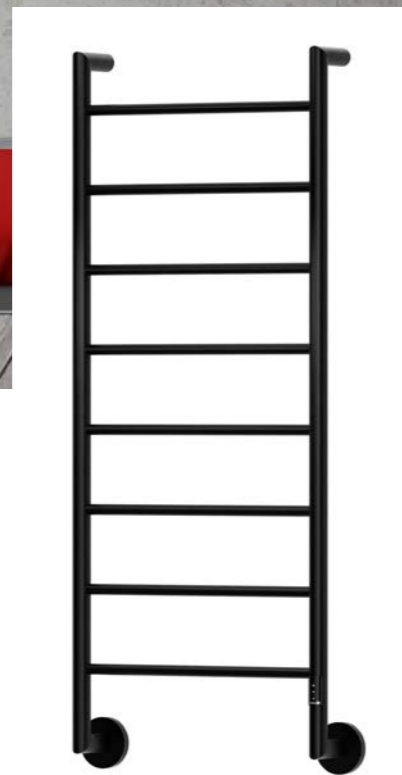
BOOSTER
Press the button 2h, 4h to set the towel rail to operate at maximum capacity for 2 or 4 hours. The heated towel rail will switch off automatically after 2 or 4 hours.

TIMER
Press the button 2h or 4 h to active the timer and set the towel rail to operate at maximum capacity for 2 or 4 h. The heated towel rail will switch off automatically after 2 or 4 hours. The timer will reactivate automatically 22 or 20 hours after switching off.

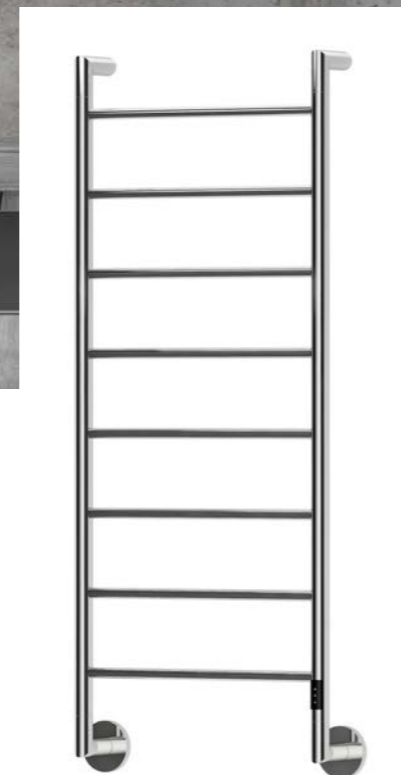
El. connection is possible on the left and right side of dryer.



Detail - ON/OFF,
TIMER 2 h, 4 h



LASSE LA2BA - black matt
560 x 1245 mm



LASSE LA2SS - polished stainless steel
560 x 1245 mm

Polished stainless steel	Black matt	Width (A) x Height (B) [mm]	Weight [kg]	HO [W]	Degree of protection
LA1SS	LA1BA	560 x 830	4	42	IP44
LA2SS	LA2BA	560 x 1245	5	70	IP44

The customer has an option to connect the electric dryer either with the cable socket or as a hidden connection. The cable is included.

BOSSE

BOSSE

ELECTRIC DRYER

BOSSE BO1SS
polished stainless steel
330 × 1230 mm

Detail - ON/OFF,
TIMER 2 h, 4 h

BOSSE BO1BA
black matt
330 × 1230 mm



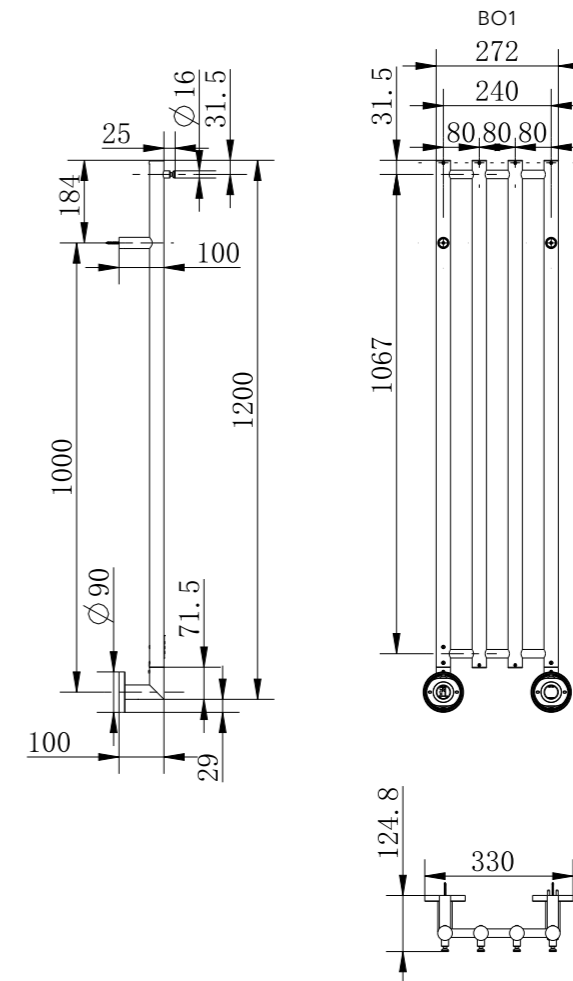
BOOSTER

Press the button 2h, 4h to set the towel rail to operate at maximum capacity for 2 or 4 hours. The heated towel rail will switch off automatically after 2 or 4 hours.

TIMER

Press the button 2h or 4 h to active the timer and set the towel rail to operate at maximum capacity for 2 or 4 h. The heated towel rail will switch off automatically after 2 or 4 hours. The timer will reactivate automatically 22 or 20 hours after switching off.

El. connection is possible on the left and right side of dryer.



Polished stainless steel	Black matt	Width (A) x Height (B) [mm]	Weight [kg]	HO [W]	Degree of protection
BO1SS	BO1BA	330 × 1230	7	70	IP44

The customer has an option to connect the electric dryer either with the cable socket or as a hidden connection. The cable is included.



ACCESSORIES VALVES

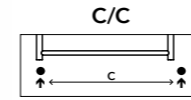
VALVES

HEATING WITH ELECTRIC HEATING ELEMENT or a CENTRAL HEATING SYSTEM ONLY

For combination heating with electric heating element, it is necessary to order: **radiator + suitable radiator valve + any heating element according to the recommended maximum performance or lower** + recommend compression fittings according to the valve.

For heating without extra electrical heating element, it is necessary to order: **radiator + suitable radiator valve** + recommend compression fittings according to the valve.

OUTLETS
Explanation:  = flow  = return



Set COMBI is designed for connection to the bathroom radiator outlet with full pitch radiators. Electrical heating element can be installed on either side of the radiator directly through the valve. Based on the location of the thermostat the set is determined as either right or left variant. It is a thermostatic valve. For this, we recommend using compression fittings Combi.

Type COMBI	Order code
left-chrome	COMBI-LC-EK
right-chrome	COMBI-RC-EK
left-stainless steel	COMBI-LSS-EK
right-stainless steel	COMBI-RSS-EK
left-white	COMBI-LW-EK
right-white	COMBI-RW-EK



COMBI



COMBI-RC-EK

Set INTER is designed for connection to the bathroom radiator outlet with full pitch radiators. Electrical heating element can be installed on either side of the radiator directly through the valve. Based on the location of the thermostat the set is determined as either right or left variant. It is a thermostatic valve. For this, we recommend using compression fittings Inter.

Type INTER	Order code
left-black	INTER-LB
right-black	INTER-RB
left-chrome	INTER-LC
right-chrome	INTER-RC
left-white	INTER-LW
right-white	INTER-RW
left-stainless steel	INTER-LSS
right-stainless steel	INTER-RSS



INTER



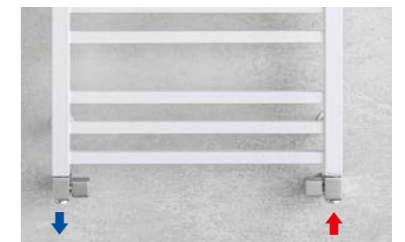
INTER-RC

Set CUBE-COM is intended for connection to the bathroom radiator outlet with full pitch connection radiators. Electrical heating element can be installed on either side directly through the valve. Set consists of the control head and open/closed function. This is a manual valve. We recommend using compression fittings CUBE-COM.

Type CUBE-COM	Order code
chrom	CUBE-COM

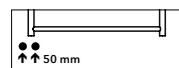


CUBE-COM



CUBE-COM

one side



Valve ONE is designed for connecting the bathroom radiators with one connection point. Electric heating element can be installed on free side of the radiator. It is a thermostatic valve. **We recommend using compression fittings ONE.**

Type ONE	Order code
chrome - left	ONE-LC-EK
chrome - right	ONE-RC-EK
stainless steel - left	ONE-LSS-EK
stainless steel - right	ONE-RSS-EK
white - left	ONE-LW-EK
white - right	ONE-RW-EK

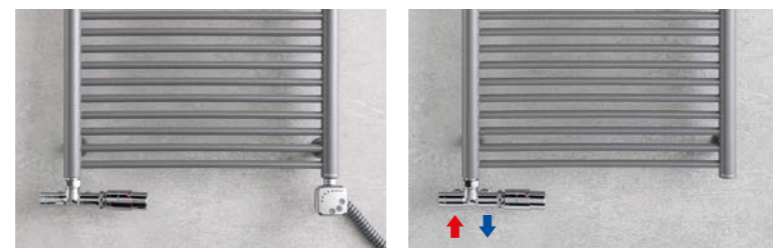


ONE

ONE-RC-EK

Valve UNIKO is designed for connecting the bathroom radiators in one connection point with span 50 mm. The electric heating element can be installed on the free side of the radiator. **We recommend using compression fittings UNIKO.**

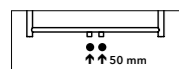
Type UNIKO	Order code
left-black	UNIKO-LB-EK
right-black	UNIKO-RB-EK
left-chrome	UNIKO-LC-EK
right-chrome	UNIKO-RC-EK
left-white	UNIKO-LW-EK
right-white	UNIKO-RW-EK
left-stainless steel	UNIKO-LSS-EK
right-stainless steel	UNIKO-RSS-EK



UNIKO

UNIKO-LC-EK

middle



Valve CUBE-T is designed for connection to bathroom radiators with middle connection 50 mm. Electric heating element can be installed on either side of the radiator, not through valve. **We recommend compression fittings CUBE-T.**

Type CUBE-T	Order code
chrome	CUBE-T-C

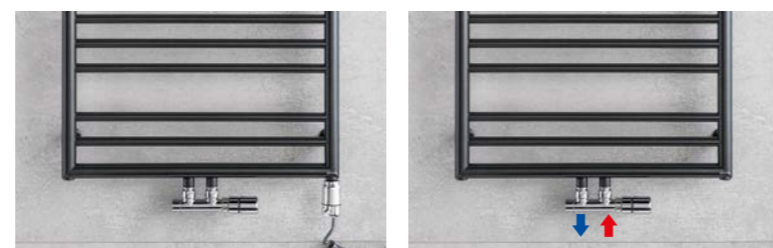


CUBE

CUBE-T-C

Valve TWIN is designed for connection to bathroom radiators with a close connection 50 mm center connection. Suitable for Kronos, Danby, Pegasus, Savoy and Retro. Electric heating element can be installed on either side of the radiator, not through the valve. It is a thermostatic valve. **We recommend using compression fittings TWIN.**

Type TWIN	Order code
chrome	TWIN-C-EK
stainless steel	TWIN-SS-EK
white	TWIN-W-EK



TWIN

TWIN-C-EK

Valve TWIN-COMBI – the electric heating element can be installed in the valve. This valve is designed for Kronos, in combination with electric heating element. **We recommend using TWIN compression fittings.**

Type TWIN-COMBI	Order code
chrom	TWIN-COM-C-EK
white	TWIN-COM-W-EK



TWIN-COM-C-EK

TWIN-COM-C-EK

Valve UNIVERSAL is designed for connection to radiators with a central connection with pitch of 50mm. The set is suitable for fittings with an internal thread of G $\frac{1}{2}$ " or G $\frac{3}{4}$ ". The valve can be positioned on the corner connection and to direct. The thermostat can be positioned either left or right. The actual location of the thermostat is determined by the location of the supply and return of the water system. The head is always fitted at the water inlet side. **We recommend using UNIVERSAL compression fittings.**

Type UNIVERSAL	Order code
chrome	UNI-C
bílá	UNI-W



UNI

UNI-C

Valve TERM is designed for connection to bathroom radiators with a close connection 50 mm. Electric heating element can be installed on either side of the radiator, not through the valve. It is a thermostatic valve. **We recommend using compression fittings Term.**

Type TERM	Order code
left-black	TERM-LB-EK
right-black	TERM-RB-EK
left-chrome	TERM-LC-EK
right-chrome	TERM-RC-EK
left-white	TERM-LW-EK
right-white	TERM-RW-EK
left-stainless steel	TERM-LSS-EK
right-stainless steel	TERM-RSS-EK



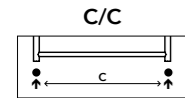
TERM

TERM-RC-EK

VALVES

CENTRAL HEATING SYSTEMS

For this solution: **radiator + suitable radiator valve** + recommend compression fittings according to the valve should be used. When selecting the valve, it is necessary to take into account the connection points of the outlet and inlet pipes from the wall. For heating without electrical heating elements it is possible to use any of the valves offered on pages 67-69.

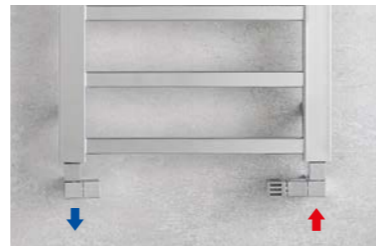


Set CUBE-CET is intended for connection to the bathroom radiator outlet of full width pitch radiators (side connections). This design kit consists of the control head and closable fittings. Depending on the location of the thermostat, the set is designated either right or left. **We recommend using compression fittings CUBE. The set also includes rosette coupling covers.**

Type CUBE-CET	Order code
left-chrome	CUBE-CET-L
right-chrome	CUBE-CET-R



CUBE-CET thermostatic head



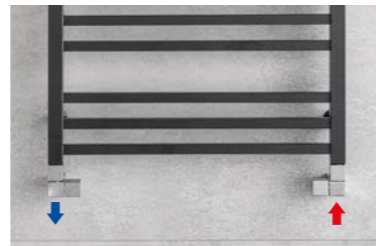
CUBE-CET-R

Set CUBE-CE is intended for connection to the bathroom radiator outlet of full width pitch radiators (side connections). This design kit consists of the control head and closable fitting. This is a manual valve and is universal (suitable for left or right sides). **We recommend using CUBE compression fittings. The set also includes rosette coupling covers.**

Type CUBE-CE	Order code
chrome	CUBE-CE
stainless steel	CUBE-CE-SS
white	CUBE-CE-W



CUBE-CE



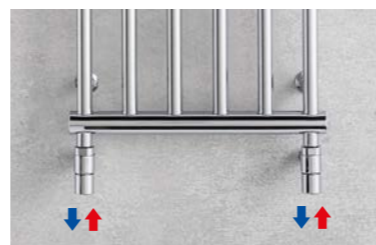
CUBE-CE

Set LINE is intended for connection to the bathroom radiator outlet of full width pitch radiators (side connections). This design kit consists of the control head and closable fitting. This is a manual valve. **We recommend using LINE compression fittings.**

Type LINE	Order code
chrome	LINE-C



LINE



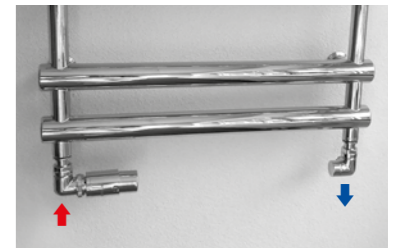
LINE-C

Set VISION is designed for connection to the bathroom radiator outlet of full width pitch radiators (side connections). It consists of a control head and shut-off fitting. This is thermostatic valve. Supply is on the side of the thermostatic head. **We recommend using VISION compression fittings.**

Type VISION	Order code
left-black	VISION-LB
right-black	VISION-RB
left-chrome	VISION-LC
right-chrome	VISION-RC
left-white	VISION-LW
right-white	VISION-RW
left-stainless steel	VISION-LSS
right-stainless steel	VISION-RSS



VISION-RB



VISION-LC

Set EASY is designed for connection to the bathroom radiator outlet of full width pitch radiators (side connections). It consists of a control head and shut-off fitting. This is a manual valve. Supply is on the side of the adjustable part. **We recommend using EASY compression fittings.**

Type EASY	Order code
left-chrome	EASY-LC-EK
right-chrome	EASY-RC-EK
left-white	EASY-LW-EK
right-white	EASY-RW-EK
left-stainless steel	EASY-LSS-EK
right-stainless steel	EASY-RSS-EK



EASY-RC-EK



EASY-LC-EK

Sada QUATTRO is designed for connection to the bathroom radiator outlet of full width pitch radiators (side connections). It consists of a control head and shut-off fitting. This is a manual valve. **An inseparable part of the set is the compression fittings located directly on the valve.**

Type QUATTRO	Order code for copper Ø 15	Order code for alupex Ø 16 x 2
left-black-mat	QUATTRO-LB-CU	QUATTRO-LB-PEX
right-black-mat	QUATTRO-RB-CU	QUATTRO-RB-PEX
left-chrome	QUATTRO-LC-CU	QUATTRO-LC-PEX
right-chrome	QUATTRO-RC-CU	QUATTRO-RC-PEX
left-white	QUATTRO-LW-CU	QUATTRO-LW-PEX
right-white	QUATTRO-RW-CU	QUATTRO-RW-PEX
left-stainless steel	QUATTRO-LSS-CU	QUATTRO-LSS-PEX
right-stainless steel	QUATTRO-RSS-CU	QUATTRO-RSS-PEX



QUATTRO - LSS

ROSETTES

Rosette for full width pitch radiators	
white	013G3132
chrome	013G3133
black	R821B
stainless steel	R821SS
Rosette for close 50 mm pitch radiators	
white	013G3207
chrome	013G3208
black	R823B
stainless steel	R823SS



Rosette for full width pitch radiators

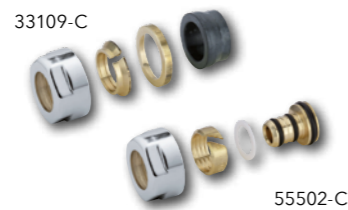


Rosette for close connect 50mm pitch radiators

The valves CUBE have rosettes included in the design kit, except CUBE-COM. For rosettes in matt black and stainless steel, installation is possible before installing the radiator

COMPRESSION FITTINGS

Compression fittings for valve CUBE (CET, -CE, -T), LINE, set 2 pcs		chrome	stainless steel	
Copper Ø15		59004-C	59004-SS	
Alupex Ø16 × 2		59102-C	59102-SS	
Thread ½"				
Compression fittings for valve CUBE-COM, set 2 pcs		chrome		
Copper Ø15		33109-C		
Alupex Ø16 × 2		55502-C		
Thread M24				
Compression fittings for valve UNIKO, TERM, set 2 pcs		black	chrome	
Copper Ø15	ZZM1524	ZZM1502		
Alupex Ø16 × 2	ZZM1624	ZZM1602		
Thread ¾" EK				
Compression fittings for valve VISION, INTER, set 2 pcs		black	chrome	stainless steel
Copper Ø15	M15B4024	M15B4002	M15B4008	
Alupex Ø16 × 2	M16B2024	M16B2002	M16B2008	
Thread M22x1,5				
Compression fittings for valve UNIVERSAL, set 2 pcs		nickel		
Copper Ø15	F11120			
Alupex Ø16 × 2	F11462			
Thread ¾" EK				
Compression fittings for valve COMBI, EASY, TWIN, TWIN-COMBI, ONE, set 2 pcs		chrome	stainless steel	
Copper Ø15		43304-C	43304-SS	
Alupex Ø16 × 2		58702-C	58702-SS	
Thread ¾" EK				



ACCESSORIES

HEATING ELEMENTS



ELECTRIC HEATING ELEMENTS

Heating rod PMH-HT

- timer TURBO - after 2h electric heating element will return to the previous settings
- timer START-STOP- after 2h electric heating element will automatically turn off
- 4-stage temperature regulation in the range of 30-60°C
- controller rotation in the range of 0-330°
- ANTIFREEZE function

- two-level overheating protection
- additional protection against working when "dry"
- low power consumption in standby mode (Ultra-Low-Power)
- intelligent work control - microprocessor control
- visualization in colorful LED technology



PMH-HT2



Output [W]	Order code chrome	Order code white	Order code metallic silver (stainless effect)	Order code black
120	PMH-HT2-C-120W	-	-	-
200	PMH-HT2-C-200W	PMH-HT2-W-200W	PMH-HT2-MS-200W	PMH-HT2-B-200W
300	PMH-HT2-C-300W	PMH-HT2-W-300W	PMH-HT2-MS-300W	PMH-HT2-B-300W
400	PMH-HT2-C-400W	PMH-HT2-W-400W	PMH-HT2-MS-400W	PMH-HT2-B-400W
600	PMH-HT2-C-600W	PMH-HT2-W-600W	PMH-HT2-MS-600W	PMH-HT2-B-600W
800	PMH-HT2-C-800W	PMH-HT2-W-800W	PMH-HT2-MS-800W	PMH-HT2-B-800W



PMH-HT2 - RK



Output [W]	Order code chrome	Order code white	Order code metallic silver (stainless effect)	Order code black
200	PMH-HT2-C-200W-RK	PMH-HT2-W-200W-RK	PMH-HT2-MS-200W-RK	PMH-HT2-B-200W-RK
300	PMH-HT2-C-300W-RK	PMH-HT2-W-300W-RK	PMH-HT2-MS-300W-RK	PMH-HT2-B-300W-RK
400	PMH-HT2-C-400W-RK	PMH-HT2-W-400W-RK	PMH-HT2-MS-400W-RK	PMH-HT2-B-400W-RK
600	PMH-HT2-C-600W-RK	PMH-HT2-W-600W-RK	PMH-HT2-MS-600W-RK	PMH-HT2-B-600W-RK
800	PMH-HT2-C-800W-RK	PMH-HT2-W-800W-RK	PMH-HT2-MS-800W-RK	PMH-HT2-B-800W-RK

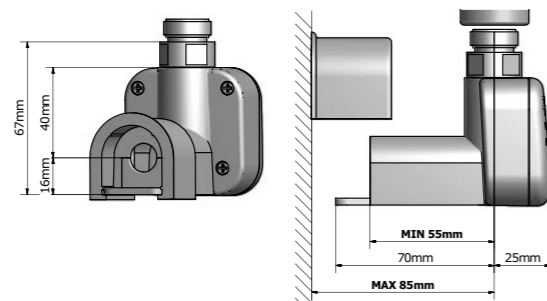


PMH-HT1

Heating element designed for direct connection of an electric cable to the wall.



Output [W]	Order code chrome	Order code white	Order code metallic silver (stainless effect)	Order code black
200	PMH-HT1-C-200W	PMH-HT1-W-200W	PMH-HT1-MS-200W	PMH-HT1-B-200W
300	PMH-HT1-C-300W	PMH-HT1-W-300W	PMH-HT1-MS-300W	PMH-HT1-B-300W
400	PMH-HT1-C-400W	PMH-HT1-W-400W	PMH-HT1-MS-400W	PMH-HT1-B-400W
600	PMH-HT1-C-600W	PMH-HT1-W-600W	PMH-HT1-MS-600W	PMH-HT1-B-600W
800	PMH-HT1-C-800W	PMH-HT1-W-800W	PMH-HT1-MS-800W	PMH-HT1-B-800W



Heating element NEX + 868 MHz + Bluetooth + sensor

- remote control via the application on a mobile device
- daily and weekly work schedule
- energy consumption meter
- measuring the room temperature/ stopping the heating function for the time the window/door is open
- timers: TURBO, START-STOP, DELAYED START
- 4-stage temperature regulation in the range of 30-60°C
- controller rotation in the range of 0-330°

- ANTIFREEZE function
- two-level overheating protection
- additional protection against working when "dry"
- low power consumption in standby mode (Ultra-Low-Power)
- intelligent work control - microprocessor control
- visualization in colorful LED technology
- free application NEX APP on App Store and Google Play

PMH-NEX2

Output [W]	Order code chrome	Order code white	Order code metallic silver (stainless effect)	Order code black
200	PMH-NEX2-C-200W	PMH-NEX2-W-200W	PMH-NEX2-MS-200W	PMH-NEX2-B-200W
300	PMH-NEX2-C-300W	PMH-NEX2-W-300W	PMH-NEX2-MS-300W	PMH-NEX2-B-300W
400	PMH-NEX2-C-400W	PMH-NEX2-W-400W	PMH-NEX2-MS-400W	PMH-NEX2-B-400W
600	PMH-NEX2-C-600W	PMH-NEX2-W-600W	PMH-NEX2-MS-600W	PMH-NEX2-B-600W
800	PMH-NEX2-C-800W	PMH-NEX2-W-800W	PMH-NEX2-MS-800W	PMH-NEX2-B-800W



PMH-NEX2-RK

Output [W]	Order code chrome	Order code white	Order code metallic silver (stainless effect)	Order code black
200	PMH-NEX2-C-200W-RK	PMH-NEX2-W-200W-RK	PMH-NEX2-MS-200W-RK	PMH-NEX2-B-200W-RK
300	PMH-NEX2-C-300W-RK	PMH-NEX2-W-300W-RK	PMH-NEX2-MS-300W-RK	PMH-NEX2-B-300W-RK
400	PMH-NEX2-C-400W-RK	PMH-NEX2-W-400W-RK	PMH-NEX2-MS-400W-RK	PMH-NEX2-B-400W-RK
600	PMH-NEX2-C-600W-RK	PMH-NEX2-W-600W-RK	PMH-NEX2-MS-600W-RK	PMH-NEX2-B-600W-RK
800	PMH-NEX2-C-800W-RK	PMH-NEX2-W-800W-RK	PMH-NEX2-MS-800W-RK	PMH-NEX2-B-800W-RK



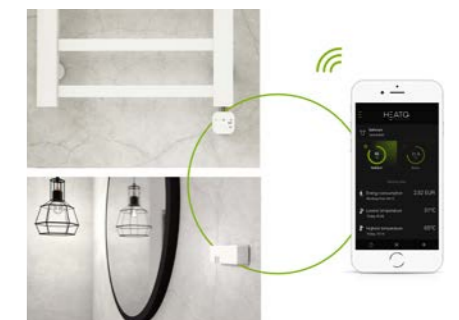
PMH-NEX1

Heating element designed for direct connection of an electric cable to the wall.

Output [W]	Order code chrome	Order code white	Order code metallic silver (stainless effect)	Order code black
200	PMH-NEX1-C-200W	PMH-NEX1-W-200W	PMH-NEX1-MS-200W	PMH-NEX1-B-200W
300	PMH-NEX1-C-300W	PMH-NEX1-W-300W	PMH-NEX1-MS-300W	PMH-NEX1-B-300W
400	PMH-NEX1-C-400W	PMH-NEX1-W-400W	PMH-NEX1-MS-400W	PMH-NEX1-B-400W
600	PMH-NEX1-C-600W	PMH-NEX1-W-600W	PMH-NEX1-MS-600W	PMH-NEX1-B-600W
800	PMH-NEX1-C-800W	PMH-NEX1-W-800W	PMH-NEX1-MS-800W	PMH-NEX1-B-800W



The sensor is automatically delivered in a white finish.



ELECTRIC HEATING ELEMENTS



Heating rod PMH-ET2

Electric heater with thermostat reacts to the temperature of the heating medium in the radiator, temperature control 5-65°C. IP44. Cable length is 1.3 m.

Output [W]	Order code chrome	Order code white coated	Order code metallic silver	Order code black
150	PMH-ET2-C-150W	PMH-ET2-W-150W	PMH-ET2-MS-150W	PMH-ET2-B-150W
300	PMH-ET2-C-300W	PMH-ET2-W-300W	PMH-ET2-MS-300W	PMH-ET2-B-300W
600	PMH-ET2-C-600W	PMH-ET2-W-600W	PMH-ET2-MS-600W	PMH-ET2-B-600W

Heating rod EL 05E

Electric heaters EL.05 E are designed for tubular radiators, which are used for combination heating especially in areas such as bathrooms, fitness or residential spaces. The heating period is used for central heating systems with central heat source outside the heating season; the heating element takes over and is operated by the electric heat source. The unit is IP44 protected and has a cable length of 1.5m. Country regulations may apply regarding if the heating element can be plugged in or needs to be hard wired.

EL 05 bodies are supplied with white or metallic silver straight electrical cord for connection to the electrical outlet. To ensure operator comfort is maintained, it is recommended to install an on/off switch (VS1), temperature controller (RE10A) or other control device.

Output [W]	Order code white (cable)	Order code metallic silver (cable)
200	EL05E-W-200W	EL05E-MS-200W
300	EL05E-W-300W	EL05E-MS-300W
400	EL05E-W-400W	EL05E-MS-400W
500	EL05E-W-500W	EL05E-MS-500W
600	EL05E-W-600W	EL05E-MS-600W
700	EL05E-W-700W	EL05E-MS-700W
thermostat	RE10A-W	RE10A-MS
switch	VS1	



TOWEL HANGERS



Chrome hanger PGH1H - square



Chrome hanger PGH1



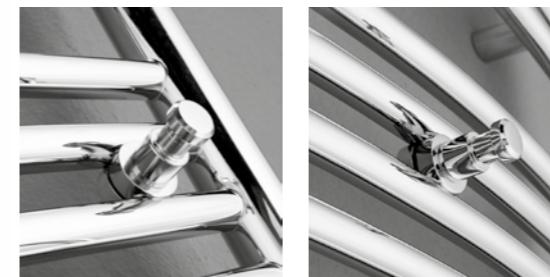
Chrome hanger DH

Chrome	
PGH1H	490 × 164 mm
PGH2H	605 × 164 mm
PGH3H	760 × 164 mm

Chrome	
PGH1	490 × 164 mm
PGH2	605 × 164 mm
PGH3	760 × 164 mm

Chrome	
DH	760 × 164 mm

HOOKS



Robe-Hook

Hooks	
Chrome	Suitable for type
CRH1	Danby, Blenheim, Savoy
CRH2	Marabu
CRH3	Taifun
White	Suitable for type
TRH1W	Taifun-white

SAMPLE COATING FINISHES



Chrome

Brushed stainless steel

Polished stainless

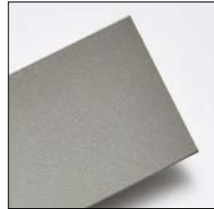
STANDARD COLOUR COATINGS

White
RAL 9003



... W

Metallic silver
RAL 9006



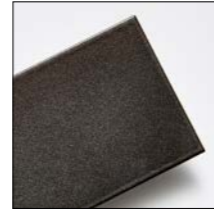
... MS

Grey-beige
RAL 1019



... GB

Metallic antracite



... A

Black (shiny)
RAL 9017



... B

STRUCTURAL COLOUR COATINGS

White (matt)
RAL 9010



Beige
RAL 1015



Grey-beige
RAL 1019 FS



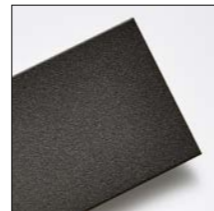
Claret
RAL 3004 FS



Brown
RAL 8017 FS



Black (matt)
RAL 9005 FS



Metallic silver
29/90092



The paint finishes can be ordered for all PMH radiators, except VENUS, FENIX, KARES, EINAR, LASSE and BOSSE.

Example of order: Order code for KRONOS 600 x 1182 mm in claret is KR2RE.
Order code = radiator code + color (coatings).

Technical changes and colour are subject to variations.

NOTES

Your business partner:



P.M.H. Invest & Trade s.r.o.
Přísečná 556
CZ 381 01 Český Krumlov

T: 00420 380 711 237
E: info@pmh-co.cz

www.pmh-co.cz